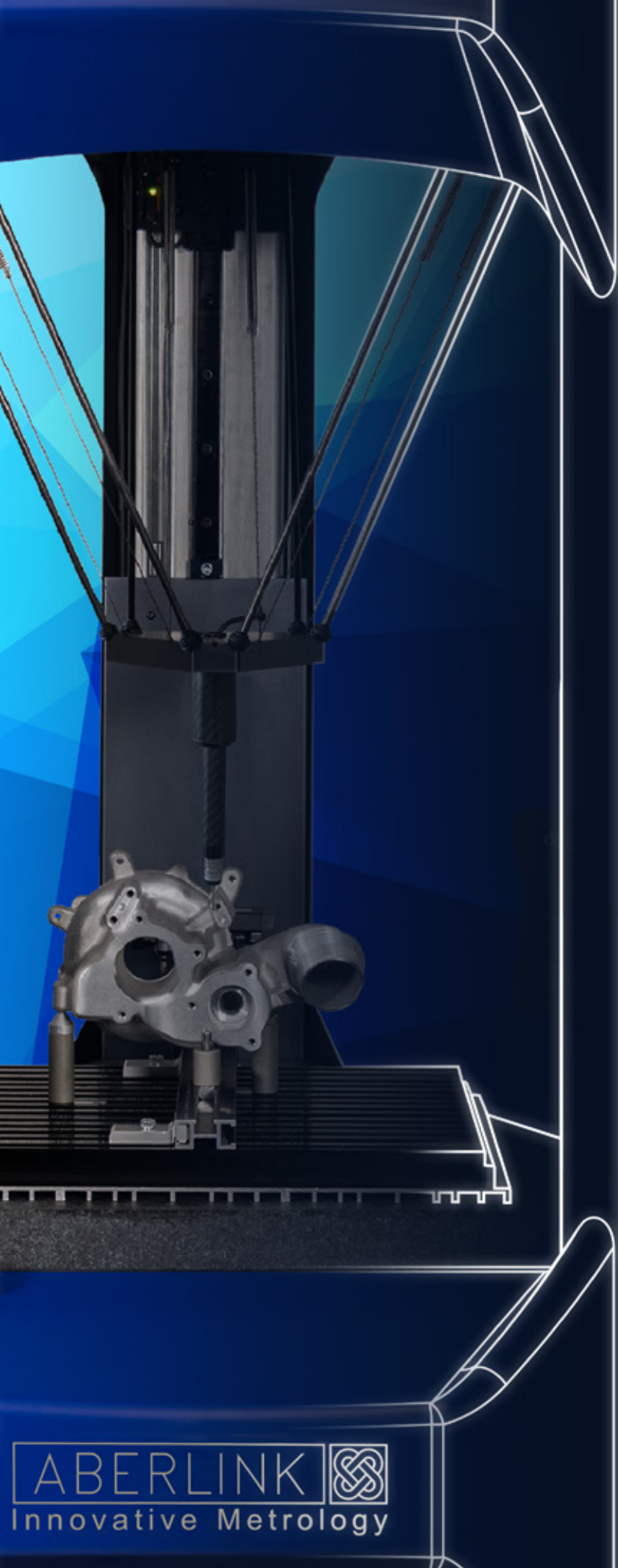


Extol





Aberlink Ltd is the largest UK-owned manufacturer of coordinate measuring machines, vision measuring systems and measurement software.

From our headquarters in Eastcombe, Gloucestershire, England we are engaged in every aspect of providing industry with innovative metrology products that are reliable, cost effective and above all easy to use. Through our distributor network in over 40 countries worldwide we provide all sectors of manufacturing with world class sales and aftercare service.

Incorporated in 1993, Aberlink has an impressive record of growth founded on innovation. This has been the background for all our patented product development, with the tagline 'Innovative Metrology' firmly at the heart of company philosophy.

Aberlink always view things from a customer perspective and our revolutionary Aberlink 3D measurement software has become the industry standard for ease of use. It is not only intuitive and simple to learn, but also extremely powerful and is ideal for either the occasional user or metrology professional alike.

Our products and services provide customers with remarkable value for money. This has been achieved by producing a fully self-contained business model from day one. Because we manufacture all the components for the machines ourselves, we understand the manufacturing process fully, and clever design-for-manufacture ensures simple and reliable products with no redundant costs. All assembly of the machines is performed on-site in Gloucestershire, where the software is also written in-house. We are a fully integrated company with minimal external costs and that is why we are able to offer the amazing value for which Aberlink has become renowned throughout the world.

You really need to see our products demonstrated to appreciate just how easy they are to use. Visit our website www.aberlink.com to find your local demonstration facility.

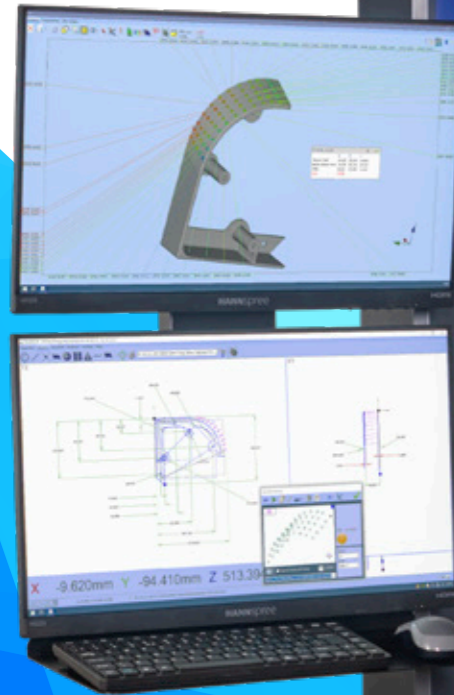
reliable, intelligent, affordable
measurement solutions for manufacturing

CONTENTS

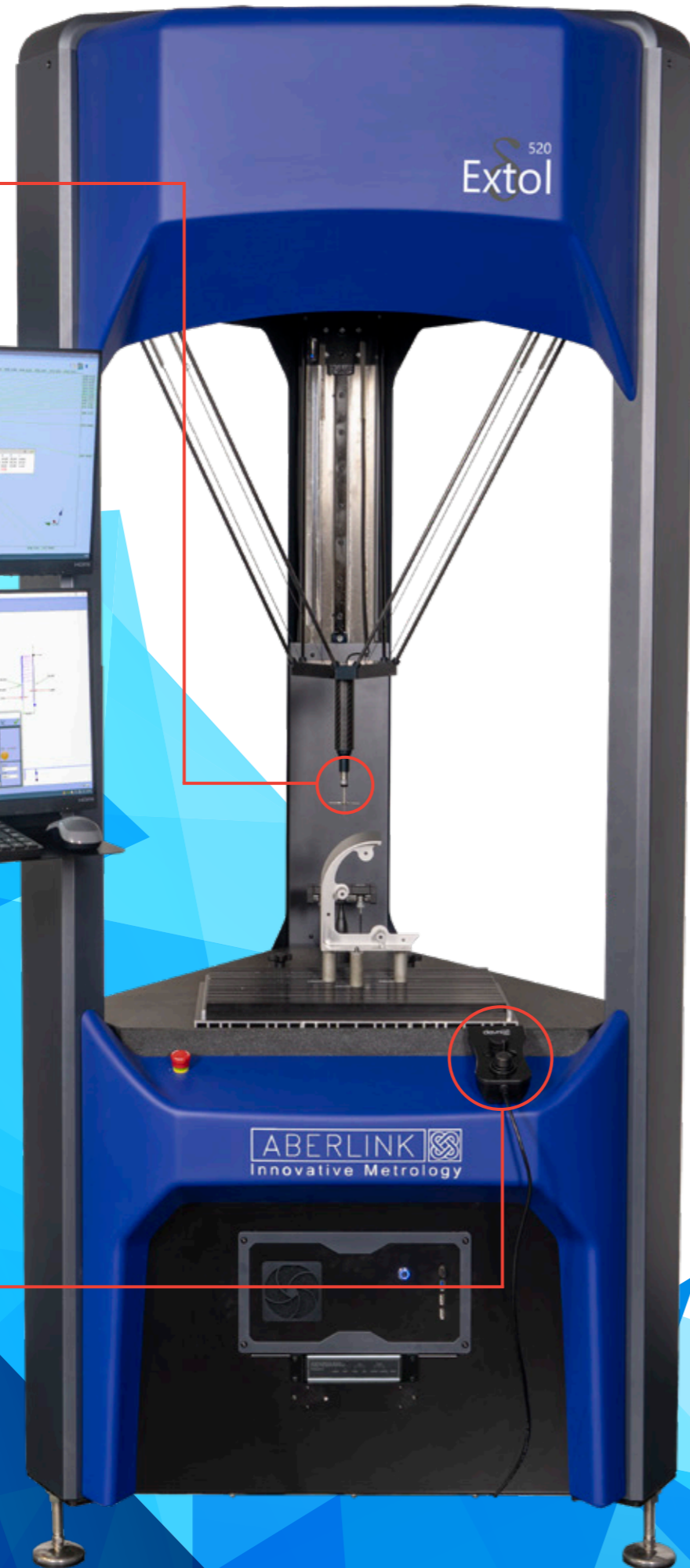
Extol Delta Structure Shop Floor CNC CMM	4
Axiom too 640mm Bridge Type Manual or CNC CMM	6
Axiom too HS High Spec 640mm Bridge Type CNC CMM	8
Horizon High Spec, Linear Drive, 800mm Bridge Type CNC CMM	10
Zenith 3 1000mm Bridge Type CNC CMM	12
Azimuth 1200mm Bridge Type CNC CMM	14
Project X Manual or CNC 2D Vision Measuring Machine	16
Probe & Camera Options Common Probe, Probe Head & Camera Options	18
Aberlink 3D & Vision Module Revolutionary 3D Measurement Software	20
CAD Software Modules CAD Comparison and Programming from CAD	22
Accessories CMM Accessories and Machine Options	24



TP200B Probe upgrade, ideal for high volume & high accuracy applications



Industrial joystick supplied as standard with the Extol



Extol

CMM ACCURACY WHEREVER YOU NEED IT

True to Aberlink's heritage for innovation, the Extol is the world's first CMM to utilise a delta mechanism. Designed for robustness and reliability, the Extol CMM will run around the clock making it ideal whether it is positioned next to a machine tool, in a manufacturing cell, or used in a dedicated inspection area.

Five temperature sensors monitoring both the machine and ambient temperature ensure that the Extol is capable of operating in uncontrolled environments and reporting measurements as though they had been taken at 20°C. The software will also produce a warning should the temperature change at a rate that is not conducive with reasonable metrology practice.

The Automatic Tool Offset Correction available with the Aberlink 3D software complements the attributes of the Extol perfectly, allowing utilisation as part of a fully automated production process in the midst of a manufacturing environment.

The ergonomics of the Extol have also been a significant design factor. It is not only quick and easy to perform one-off inspections, but also has ample access for either batch inspection or to facilitate automatic loading. With a larger measuring volume and smaller overall footprint than its predecessor, the Xtreme, the Extol can be positioned exactly where the measurement is needed.

Robust, accurate and reliable, the Extol CMM is the perfect solution to automatically verify part quality for critical components.

Key Features:

- No compressed air required - the Extol is 'plug and go'
- Built-in temperature control - accuracy is maintained even when ambient temperature is not controlled
- Automation and automatic tool offset compensation options mean that the Extol is ideally suited for automated manufacturing cells
- Fully sealed recirculating bearings that improve smoothness and dirt immunity
- The Extol's direct drive belts eliminate the need for a gearbox and any associated backlash issues
- Aberlink's revolutionary easy-to-use measurement software
- **Free software upgrades** - no maintenance fees or contracts

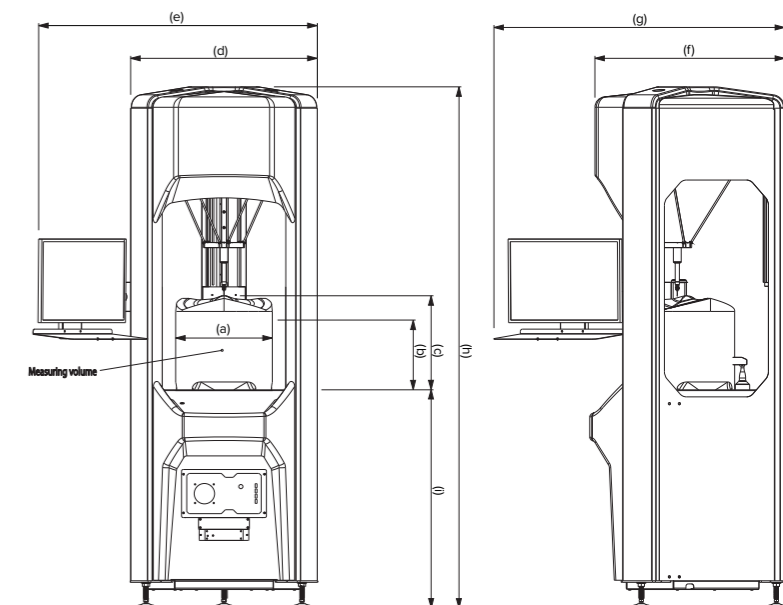
Machine Options:

- Dual monitors, ideal for use with CAD software options
- TP20 probe offers robust measurement solution
- TP200B Probe upgrade available where high volume or high accuracy solutions are required
- 3 or 6-Port change racks available for both TP20 & TP200 options. (6-Port recommended for Extol 520 only)
- Fixturing kit provides a flexible solution for locating components to be measured

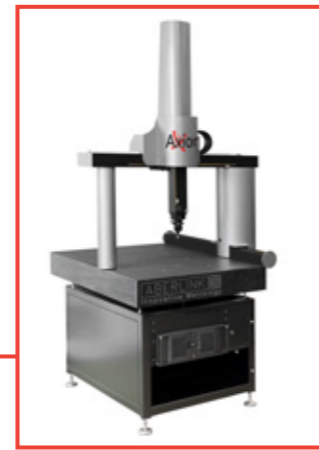


Technical Information:

Model:	Extol 370	Extol 520
Axis Travel (mm)	XY 370	(a) XY 520
Cylindrical	Z 270	(b) Z 300
At Centre	Z 365	(c) Z 400
Overall Size (mm)	X 715	(d) X 950
	Y 730	(f) Y 990
	Z 2000	(h) Z 2200
Overall Size (mm) with monitor arm	X 1000	(e) X 1180
	Y 1030	(g) Y 1320
	Z 2000	(i) Z 2200
* Volumetric Accuracy:	(2.6 + 0.4L/100) μm	(2.6 + 0.4L/100) μm
Scale Resolution:	0.1 μm	0.1 μm
Operational Temp Range:	5 - 45°C	5 - 45°C
Table:	Granite plate	Granite Plate
Max. Velocity Vector:	500mm/sec	500mm/sec
Max. Acceleration Vector:	750mm/sec ²	750mm/sec ²
Air Consumption:	None	None
Required Air Pressure:	Not required	Not required



*The machine should not be positioned where it will be subjected to rapid changes in temperature. Max rate of ambient temperature change should not be more than 1°C/hour.



Available with solid granite table if loads are over 300kg

Axiom Too

THE COMPLETE INSPECTION SYSTEM

Fast, accurate and reliable, the Axiom too CMM comes in four different sizes with Y axis travel up to 1500mm. Available as either a manual machine or with full CNC control, the Axiom too can be used with touch trigger probe, continuous contact scanning probe or with Aberlink's revolutionary non-contact camera system.

The all aluminium bridge structure not only ensures that the Axiom too has low inertia and hence high acceleration to get the job done quickly, but also that the temperature of the machine rapidly follows the temperature of the room, ideal when the CMM is not housed in a controlled environment. Temperature compensation in the software reports results as if they had been measured at 20°C/68°F.

The standard high-tech granite and aluminium table, originally developed for the optics industry, provides fantastic natural damping of high frequency vibration. The granite Y rail allows pre-loading of the bridge air bearings in both directions for superior accuracy.

Another unique feature of the Axiom too is that manual machines can be easily upgraded to CNC at any point in the future, which is great if you are not sure of your requirement or perhaps can't initially justify the additional cost of a CNC machine.

Because of Aberlink's fully integrated manufacturing processes, the Axiom too offers unbelievable value, but above all it is easy to use.

Key Features:

- Shortest learning curve of any equivalent system
- Smallest overall footprint of any comparable size CMM
- Choice of Y axis sizes ranging from 600mm to 1500mm
- Suitable for the workshop environment
- Protection from environmental vibrations as standard
- Optimised friction free air bearings, aluminium bridge and granite table
- **Free software upgrades** - no maintenance fees or contracts

Common Probe Options:

- MH20i
- RTP20
- PH10T (w/TP20, TP200)
- PH10M (w/SP25)
- PH6M (w/SP25)

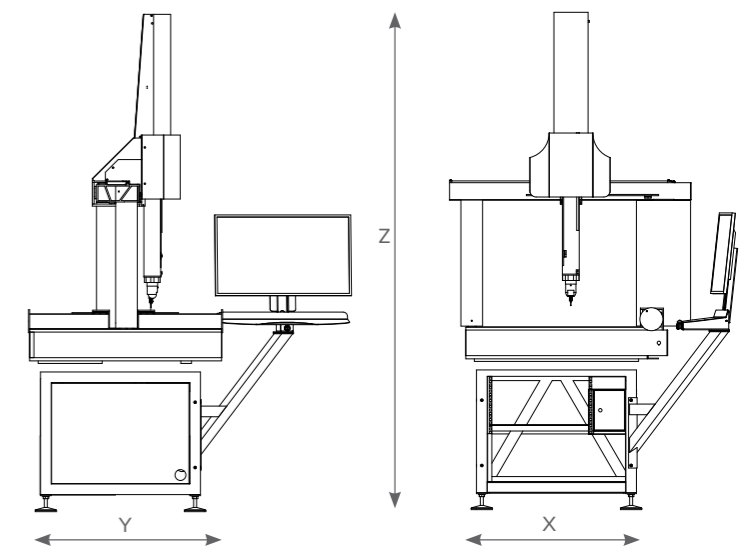
Machine Options:

- Auto Temperature Compensation
- Touch Screen Joystick
- CCD Camera System
- Collimated Back Light Option
- Dual Monitor
- Fixture Kit



Technical Information:

Axis Travel (mm)	X 640 Y 600, 900, 1200, 1500 Z 500
Overall Size (mm)	X 1040 Y 900, 1200, 1500, 1800 Z 2320
*Volumetric Accuracy:	TP20 (2.4 + 0.4L/100) μm TP200 (2.3 + 0.4L/100) μm SP25M (2.1 + 0.4L/100) μm
Scale Resolution:	0.5μm
**Optimum Temp Range:	18 - 22°C
Operational Temp Range:	5 - 45°C
Table:	Honeycomb aluminium & granite or solid granite
Table Load Capacity:	300kg (Honeycomb) or 500kg (Solid)
Max. Velocity Vector:	600mm/sec
Max. Acceleration Vector:	600mm/sec ²
Air Consumption:	50 l/min (1.8 cfm)
Required Air Pressure:	5 bar (72 psi)



*Maximum Permissible Error MPE_e according to 10360-2, 2009 within the thermal limits defined for optimum temperature range.

**Installation environment thermal limits:
Rate of change <1°C/hr and <2°C/24hr | Temperature gradient <1°C/m



Axiom Too HS

ELIMINATE INSPECTION BOTTLENECKS

The Axiom too HS is both faster and more accurate than the standard model, and all without compromising the fantastic value for money for which Aberlink have become renowned.

Rather than using the belt drive system, the Axiom too HS incorporates drive rod technology developed on our larger machines and vision products. This allows even greater accelerations to be achieved meaning that the HS model measures approximately 20% quicker than the standard variant – ideal for high volume measurement.

The Axiom too HS also utilises 0.1µm resolution scales on each axis. Incorporated with state-of-the-art error mapping techniques this means that the HS model is the most accurate machine ever produced by Aberlink – ideal when measuring tight tolerances.

Key Features:

- Fitted with 0.0001mm linear encoders for superior accuracy
- Angled bearing zero backlash drive system for quicker acceleration and faster travel
- Shortest learning curve of any equivalent system
- Choice of Y axis sizes ranging from 600mm to 1500mm
- Suitable for the workshop environment
- Protection from environmental vibrations as standard
- Optimised friction free air bearings, aluminium bridge and granite table
- **Free software upgrades** - no maintenance fees or contracts

Common Probe Options:

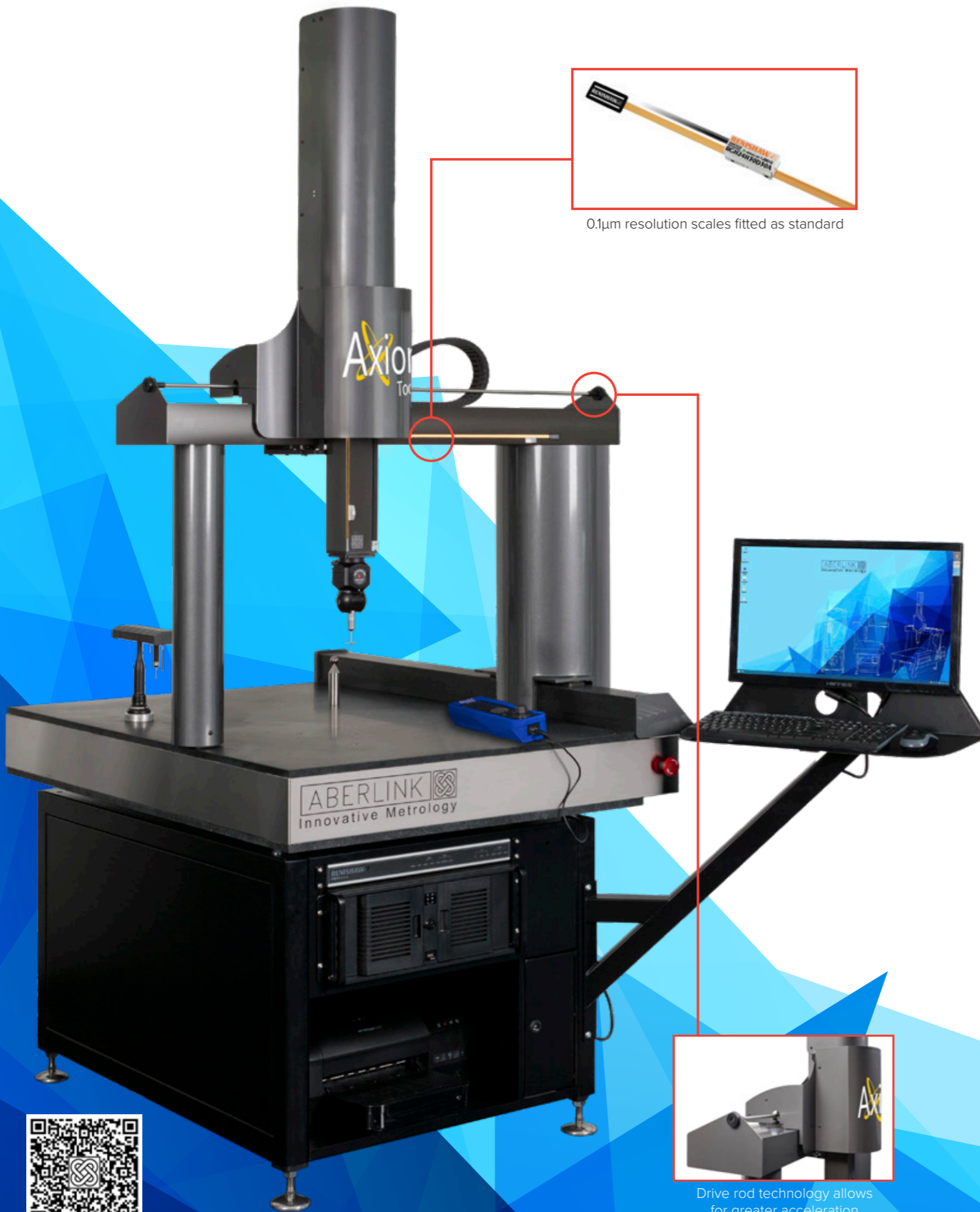
- MH20i
- RTP20
- PH10T (w/TP20, TP200)
- PH10M (w/SP25)
- PH6M (w/SP25)

Machine Options:

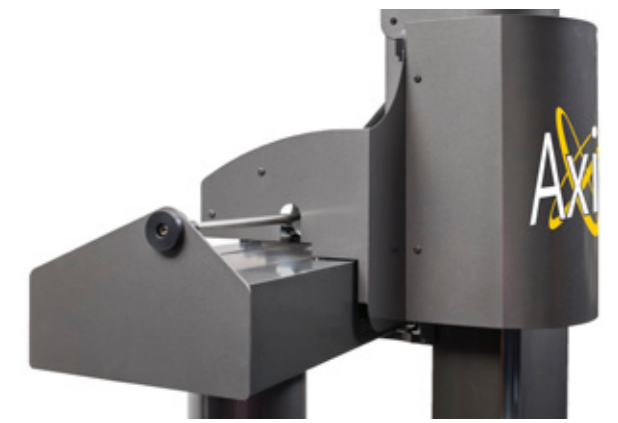
- Auto Temperature Compensation
- Touch Screen Joystick
- CCD Camera System
- Collimated Back Light Option
- Dual Monitor
- Fixture Kit



0.1µm resolution scales fitted as standard

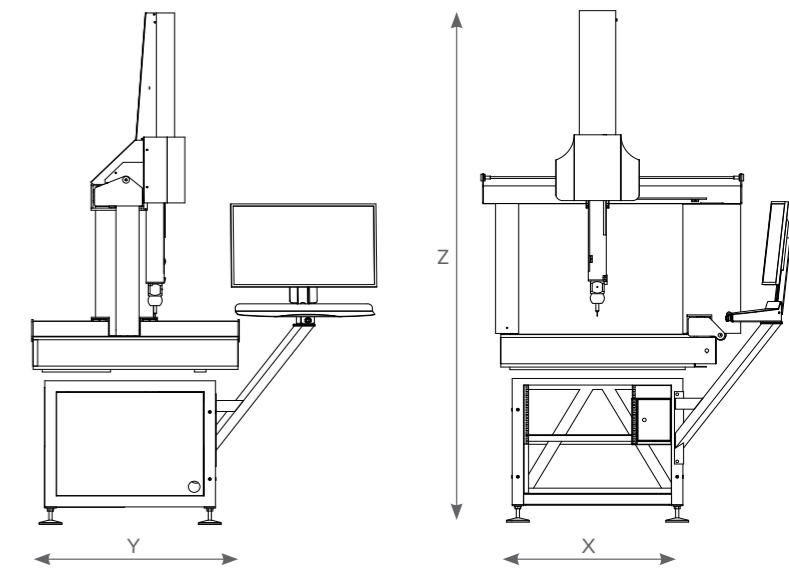


Drive rod technology allows for greater acceleration



Technical Information:

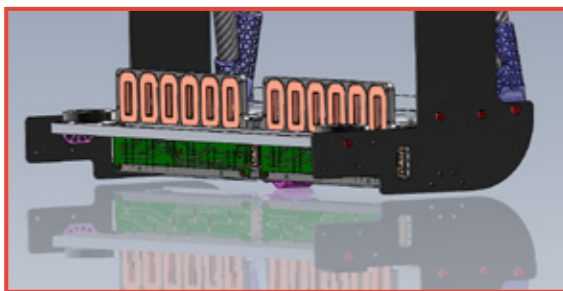
Axis Travel (mm)	X 640 Y 600, 900, 1200, 1500 Z 500
Overall Size (mm)	X 1040 Y 900, 1200, 1500, 1800 Z 2320
*Volumetric Accuracy:	TP20 (2.1 + 0.4L/100) µm TP200 (2.0 + 0.4L/100) µm SP25M (1.8 + 0.4L/100) µm
Scale Resolution:	0.1µm
**Optimum Temp Range:	18 - 22°C
Operational Temp Range:	5 - 45°C
Table:	Honeycomb aluminium & granite or solid granite
Table Load Capacity:	300kg (Honeycomb) or 500kg (Solid)
Max. Velocity Vector:	866mm/sec
Max. Acceleration Vector:	1200mm/sec ²
Air Consumption:	50 l/min (1.8 cfm)
Required Air Pressure:	5 bar (72 psi)



*Maximum Permissible Error MPE_E according to 10360-2, 2009 within the thermal limits defined for optimum temperature range.

**Installation environment thermal limits:
Rate of change <1°C/hr and <2°C/24hr | Temperature gradient <1°C/m





Frictionless linear drives produce a smooth motion improving both metrology and reliability. This reduces maintenance and makes the Horizon perfect for fast contact scanning



Horizon

STARTING THE LINEAR DRIVE REVOLUTION

The Horizon CMM breaks new ground in design and innovation using frictionless linear drives, which are the key to its fast and exceptionally smooth motion.

The kinematic isolated drive structure is completely independent of the CMM structure and ensures that the motor thrust is directed through the centre of gravity of the moving parts. This not only avoids acceleration induced metrology errors but also has the effect of thermally isolating the motors from the metrology structure of the CMM.

Linear motors are non-contact and therefore have no wearing parts and thus provide the perfect solution for CMM drives, improving reliability and reducing maintenance.

The Horizon is the stand-out machine with fast, smooth, silent motion ideally suited to contact scanning and with a first-term accuracy specification of under two microns.

Key Features:

- Linear motors offer frictionless, smooth, silent motion.
- No wearing parts means greater reliability and reduced maintenance.
- Drives applied through the centre of gravity improves both speed and accuracy.
- Thermal isolation of linear motors from the metrology structure avoids thermally induced metrology errors.
- Smooth motion allows for fast and accurate contact scanning.
- The most accurate machine in the Aberlink range. First term volumetric error specification under 2µm
- Automatic temperature compensation ensures that measurement results are reported as if they had been measured at 20°C
- **Free software upgrades** - no maintenance fees or contracts

Common Probe Options:

- RTP20
- PH10T (w/TP20, TP200)
- PH10M (w/SP25)
- PH6M (w/SP25)

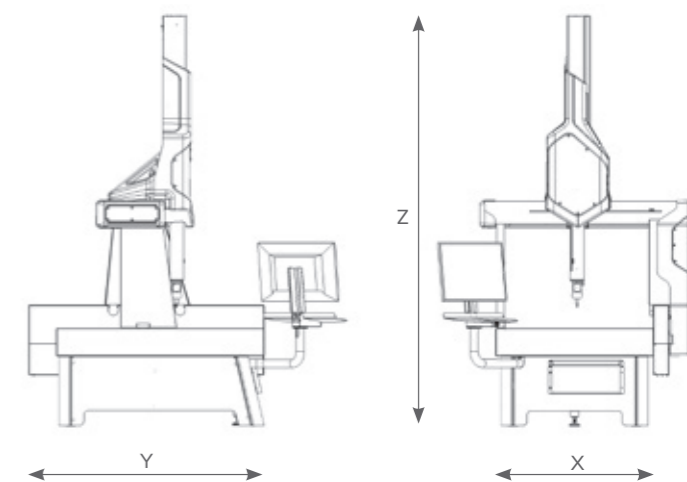
Machine Options:

- Auto Temperature Compensation
- CCD Camera System
- Collimated Back Light Option
- Dual Monitor
- Fixture Kit



Technical Information:

Axis Travel (mm)	X 800 Y 1000, 1500, 2000 Z 600
Overall Size (mm)	X 1403 Y 1530, 2030, 2530 Z 2700
*Volumetric Accuracy:	TP20 (1.9 + 0.4L/100) µm TP200 (1.8 + 0.4L/100) µm SP25M (1.75 + 0.4L/100) µm
Scale Resolution:	0.1µm
**Optimum Temp Range:	18 - 22°C
Operational Temp Range:	5 - 45°C
Table:	Granite
Table Load Capacity:	1000kg as standard.
Max. Velocity Vector:	1020mm/sec
Max. Acceleration Vector:	1020mm/sec ²
Air Consumption:	50 l/min (1.8 cfm)
Required Air Pressure:	5 bar (72 psi)



*Maximum Permissible Error MPE_z according to 10360-2, 2009 within the thermal limits defined for optimum temperature range.

**Installation environment thermal limits:
Rate of change <1°C/hr and <2°C/24hr | Temperature gradient <1°C/m





Available in 600mm or 800mm Z heights at no additional cost.

Zenith 3

LARGE, AFFORDABLE PRECISION

The Zenith 3 CNC CMM is the result of a design evolution of the award winning Zenith too range of machines. Many of the design improvements revolve around the right leg of the machine, which has been modelled on the hugely successful Azimuth machine.

Greater air bearing separation results in greater stiffness, and so has improved the accuracy significantly. The first term error for this new model is more than a micron better than the Zenith too.

All moving parts are light and this, combined with good design, means that the Zenith 3 has low inertia and therefore optimal acceleration characteristics. The improved Zenith is fast, minimising inspection times.

The Zenith 3 range is the best value-for-money for the measuring volume of any CMM available in the market - the perfect affordable metrology solution for big and heavy parts.

Key Features:

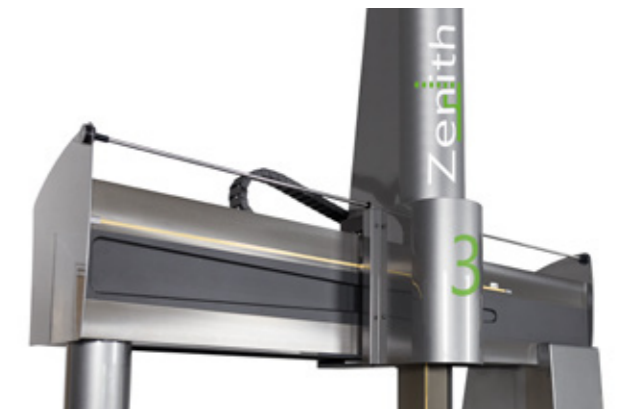
- Shortest learning curve of any equivalent system
- Smallest overall footprint of any comparable size CMM
- Choice of Y axis sizes ranging from 1000mm to 3000mm
- Suitable for the workshop environment
- Optimised friction free air bearings, aluminium bridge and granite table
- Supplied with the CMM touch screen joystick as standard
- **Free software upgrades** - no maintenance fees or contracts

Common Probe Options:

- RTP20
- PH10T (w/TP20, TP200)
- PH10M (w/SP25)
- PH6M (w/SP25)

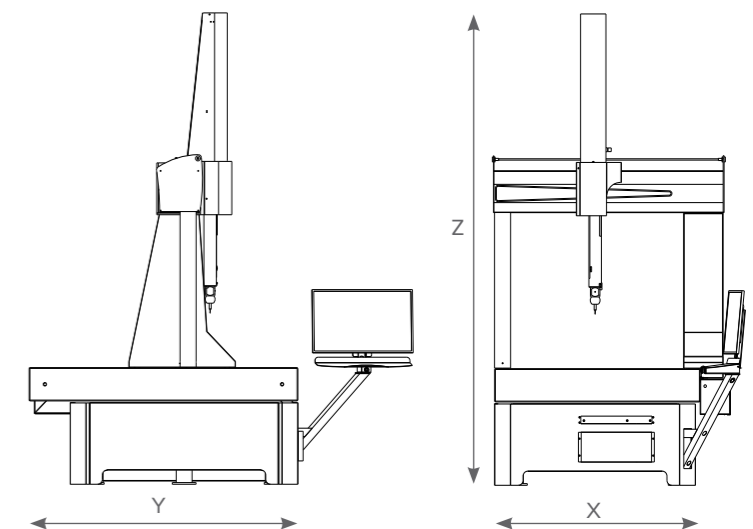
Machine Options:

- 4400Kg load capacity
- Auto Temperature Compensation
- CCD Camera System
- Collimated Back Light Option
- Dual Monitor
- Fixture Kit



Technical Information:

Axis Travel (mm)	X 1000 Y 1000, 1500, 2000, 2500, 3000 Z 600, 800
Overall Size (mm)	X 1520 Y 1700, 2200, 2700, 3200, 3700 Z 2500, 2900
*Volumetric Accuracy:	TP20 (2.7 + 0.4L/100) μm TP200 (2.6 + 0.4L/100) μm SP25M (2.4 + 0.4L/100) μm
Scale Resolution:	0.5 μm
**Optimum Temp Range:	18 - 22°C
Operational Temp Range:	5 - 45°C
Table:	Granite
Table Load Capacity:	1500kg as standard. Options up to 4400kg
Max. Velocity Vector:	600mm/sec
Max. Acceleration Vector:	600mm/sec ²
Air Consumption:	50 l/min (1.8 cfm)
Required Air Pressure:	5 bar (72 psi)



*Maximum Permissible Error MPE_z according to 10360-2, 2009 within the thermal limits defined for optimum temperature range.

**Installation environment thermal limits:
Rate of change <1°C/hr and <2°C/24hr | Temperature gradient <1°C/m



Azimuth

FROM STRENGTH TO STRENGTH

As CMMs get larger, it is not simply a case of scaling up the design of smaller models. Stiffness of the structure is critical, but weight must also be kept to a minimum. The Azimuth CMM is not only Aberlink's largest in their range of CMM products, but it is the culmination of over twenty-nine years experience and excellence in the design and manufacture of innovative metrology equipment incorporating the very latest materials technology.

The revolutionary bridge of the Azimuth incorporates aluminium honeycomb sheets developed for use in formula one and the aerospace industry. The remarkable stiffness to weight ratio that this provides gives the Azimuth an edge in both performance and speed. For a machine of this size, the Azimuth is not only fast, but extremely accurate.

The drive systems designed for the Azimuth offer simplicity and reliability and the novel system used on the Y axis ensures that there is no degradation of performance across the full range of machine sizes offered up to 3m.

A big machine should also be able to measure a heavy component, this is another area where Aberlink has applied innovative thinking. Rather than simply increasing the depth of the granite table, which adds huge cost and weight to the machine, we offer a specially designed load plate to sit on the granite base. This plate can accept up to a six tonne load which will then be transmitted directly through the feet of the machine bench directly to the floor, meaning no loss of metrology performance.

Key Features:

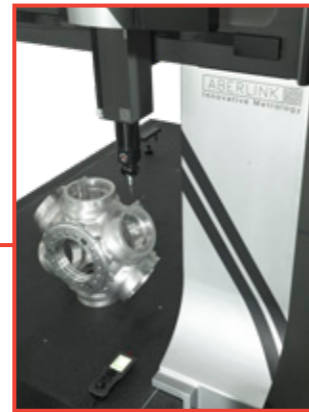
- Capable of measuring parts up to 6000kg in weight
- Fitted with 0.0001mm linear encoders for superior accuracy
- Unique self-contained drive system ensures excellent performance over the entire measuring volume
- Choice of Y axis sizes ranging from 1000mm to 3000mm
- Supplied with the CMM touch screen joystick as standard
- **Free software upgrades** - no maintenance fees or contracts

Common Probe Options:

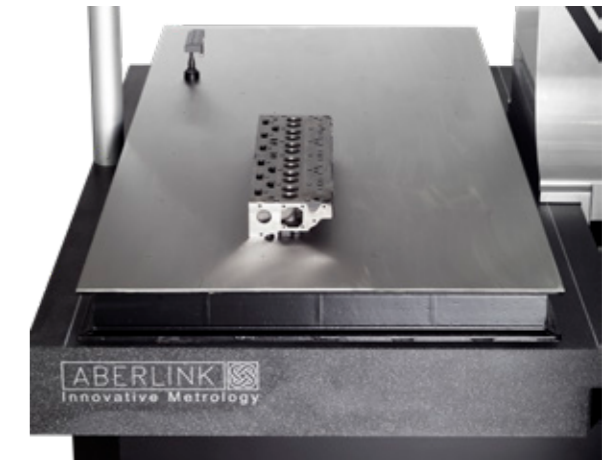
- PH10T (w/TP20, TP200)
- PH10M (w/SP25)
- PH6M (w/SP25)

Machine Options:

- Load plate for loads up to 6 tonnes
- Auto Temperature Compensation
- CCD Camera System
- Collimated Back Light Option
- Dual Monitor
- Fixture Kit

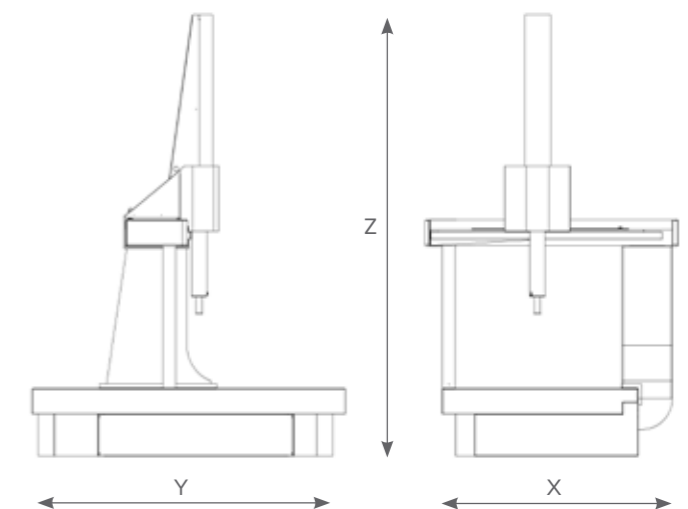


State of the art design ensures maximum stiffness for both greater speed and higher accuracy



Technical Information:

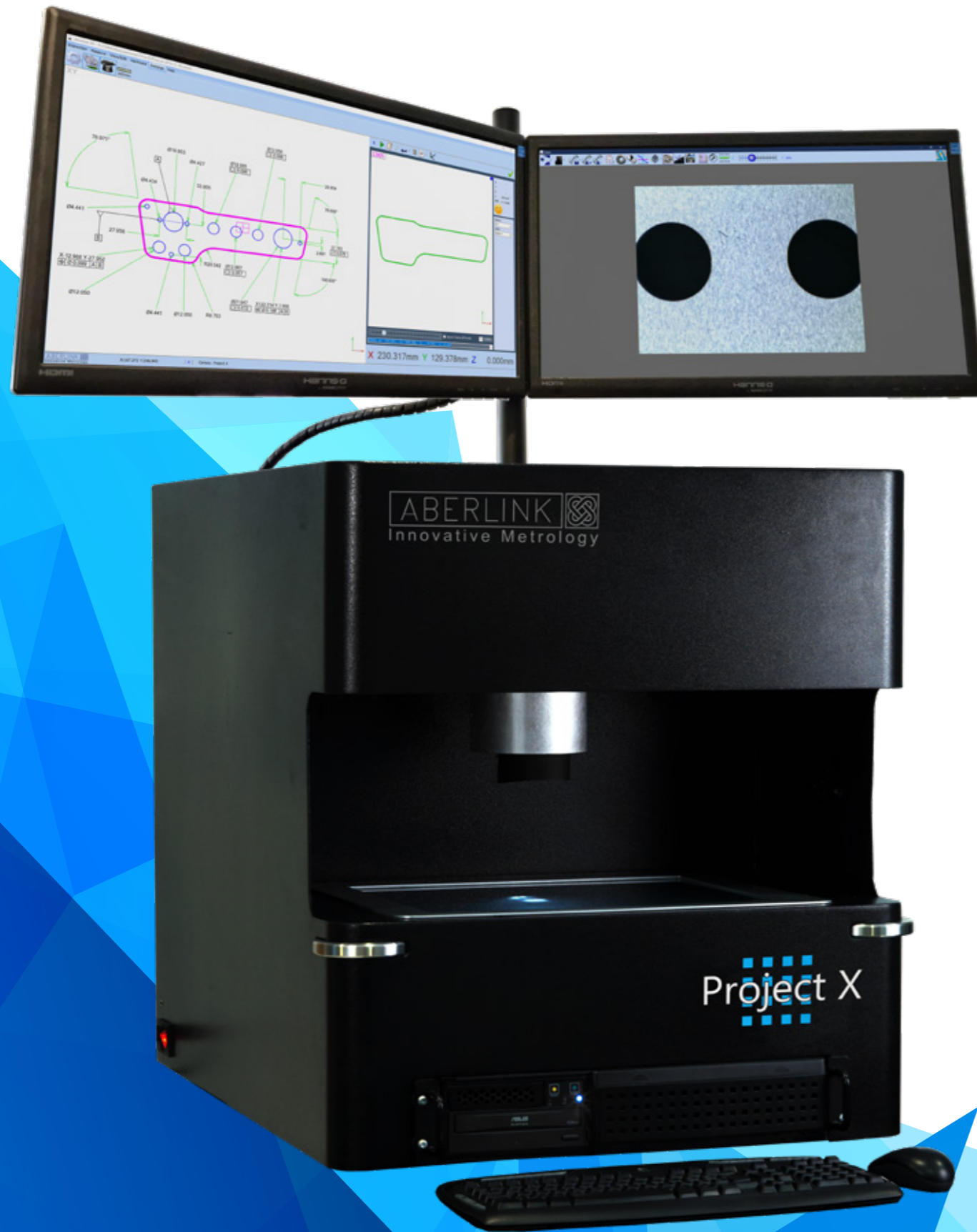
Axis Travel (mm)	X 1200 Y 1000, 1500, 2000, 2500, 3000 Z 1000
Overall Size (mm)	X 1940 Y 2000, 2500, 3000, 3500, 4000 Z 3595
*Volumetric Accuracy:	TP20 (2.9 + 0.4L/100) μm TP200 (2.8 + 0.4L/100) μm SP25M (2.6 + 0.4L/100) μm
Scale Resolution:	0.1 μm
**Optimum Temp Range:	18 - 22°C
Operational Temp Range:	5 - 45°C
Table:	Granite
Table Load Capacity:	1500kg as standard. Options up to 6000kg
Max. Velocity Vector:	650mm/sec
Max. Acceleration Vector:	850mm/sec ²
Air Consumption:	50 l/min (1.8 cfm)
Required Air Pressure:	5 bar (72 psi)



*Maximum Permissible Error MPE_z according to 10360-2, 2009 within the thermal limits defined for optimum temperature range.

**Installation environment thermal limits:
Rate of change <1°C/hr and <2°C/24hr | Temperature gradient <1°C/m





Project X

ADVANCED VISION SYSTEM

Project X finally replaces the old technology of a profile projector. It is easier to use than a profile projector. It is quicker to use than a profile projector and it will deliver reliable, consistent inspections time after time. Project X is available as either a manual machine or with full CNC control.

Project X is different. It utilises a totally new, patented technology XY scale, that records not only X and Y position but also any rotational movement of the camera system. In addition, this is an absolute scale system, which means as soon as you switch on the machine it knows exactly where it is - no need for referencing. The camera is free to glide around the measurement area mounted on a simple air bearing system, without any worry about constraining the mechanics to avoid losing accuracy.

Components can be placed on a glass table and remain stationary, while the camera is moved around taking measurements above. There is no need to secure the component on the table as there would be on a moving stage machine.

Combine this simple mechanical structure, made possible by the revolutionary scale technology, with the Aberlink measurement software and you will soon understand why Project X is the standard for 2-dimensional measurement.

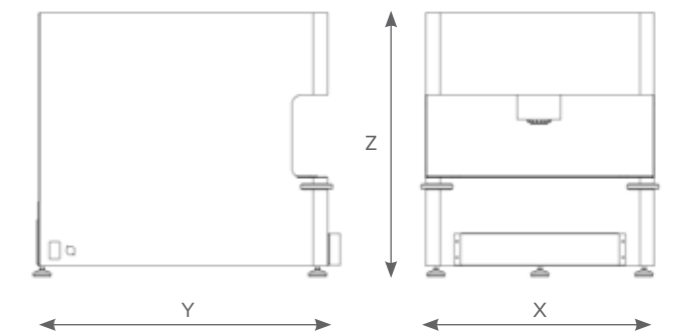
Key Features:

- High speed optical scanning - up to 5000 points/second
- Fully programmable digital zoom, no need to change lenses
- Powerful edge detection tools for maximum accuracy
- Aberlink's easy-to-use vision measurement software
- **Free software upgrades** - no maintenance fees or contracts



Technical Information:

Axis Travel (mm)	Overall Size(mm)	2D Accuracy
X 400 Y 300 Z 125 (focus only)	X 583 Y 722 Z 670	7.5µm
Stand Off (mm)	Field of View (mm)	Temp Range
125.0	10.0	18 - 22°C



Project X contains an integrated top light ring as well as back lighting



Free-standing bench option available



Glass graticule available for pixel calibration & measurement verification





Every bridge-type Aberlink CMM fully supports the range of probe heads and both touch trigger and scanning probes supplied by Renishaw. The following are common options:



TP8 Probe

The TP8 probe offers an entry level option for customers that require infrequent indexing of the probe and no indexing during the running of a measurement programme. The TP8 is supplied with two knuckle joints to allow infinite alignment of the probe to the feature being measured, but this alignment is non-repeatable, meaning that the stylus will need to be re-qualified following each index. The TP8 probe accepts the M3 range of styli.

MH20i Probe Head

The MH20i probe offers repeatable manual indexing of the probe head from 0° to 90° in the A axis and through 360° in the B axis, in 15° increments. Ideal for manual CMMs, it can also be used on CNC models, but will require intervention from the operator whenever indexing is required. The MH20i uses a TP20 stylus module, which in turn accepts the M2 range of styli.



RTP20 Probe Head

The RTP20 probe offers a really cost effective solution for customers that require automatic indexing on CNC machines. Modelled on the MH20i body, the RTP20 uses the CNC motion of the CMM to position itself using a post mounted to the bed of the machine. Like the MH20i it is able to index from 0° to 90° in the A axis and through 360° in the B axis, in 15° increments and uses a TP20 stylus module, which in turn accepts the M2 range of styli. The RTP20 is also fully compatible with the MCR20 change rack to provide an option that provides both automatic stylus changing as well as automatic indexing.

PH10T Probe Head

The PH10T is a fully motorised probe head that offers immediate indexing from 0° to 105° in the A axis and through 360° in the B axis, in 7.5° increments. This probe head should be used by customers requiring frequent indexing or when more precise alignment to the features being measured is required.

Common probe options for the PH10T:

TP20

The TP20 is a robust probe for general purpose measurement that can be used in conjunction with the MCR20 change rack to facilitate automatic stylus changing. The TP20 stylus modules can be supplied with different trigger forces which accept M2 styli up to 60mm long, and with different length modules to assist with probing at greater depths.

TP200

The TP200 probe utilises strain gauge technology and so does not exhibit lobing characteristics and therefore should be considered by customers requiring more accurate measurement of form. It can be used with the SCR200 change rack for automatic stylus changing and the TP200 modules are available as standard or low force for use with M2 styli up to 100mm long.



PH10T probe head fitted with TP20 probe

PH10M Probe Head

Like the PH10T probe head, the PH10M is also a fully motorised probe head that offer immediate indexing from 0° to 105° in the A axis and through 360° in the B axis, in 7.5° increments. The M head, however, incorporates an auto-joint with multiwire capability, which is necessary for the SP25M scanning probe. The PH10M probe head can also be fitted with either TP20 or TP200 probes and should be chosen in preference to the PH10T when using these probes if the future use of a scanning technology may be required.



PH10M with SP25M scanning probe

PH6M Probe Head

This head provides a fixed auto-joint for when an SP25M scanning probe is needed without the requirement for indexing.



PH6M with SP25M scanning probe

SP25M Scanning Probe

The SP25M scanning probe uses an isolated optical metrology transducer system to enable extremely accurate measurements to be taken with the stylus in continuous contact with the feature being inspected. This enables more data to be taken which is important when form is critical. A range of modules are available for the SP25M to provide optimised scanning performance using M3 styli up to 400mm long.

Probe Head Comparison	Integral Probe	Index Motion	Maximum Length	Index Resolution	Index Positions	Repeatable Indexing	Repeatable Stylus Changing
TP8	Yes	Manual	105mm	Infinite	Infinite	No	No
MH20i	Yes	Manual	150mm	15°	168	Yes	Yes
RTP20	Yes	Automated	168mm	15°	168	Yes	Yes
PH10T	No	Motorised	450mm	7.5°	720	Yes	Yes
PH6M	No	No	450mm	No	No	No	Yes
PH10M	No	Motorised	450mm	7.5°	720	Yes	Yes

CMM CAMERA TOUCH & VISION ON THE SAME MACHINE

Aberlink's camera system offers a non-contact facility on any Aberlink CMM. A clever design of magnetic, kinematic joint allows the probe and camera to be swapped in just seconds. This means that components can be inspected using both touch trigger and vision inspection technology on the same machine.

The camera incorporates a telecentric lens that gives a distortion-free image on the monitor. It also contains a fully programmable 16-LED light ring which contains alternate white and UV LEDs. The white LEDs provide surface illumination in the normal manner while the UV LEDs provide an ingenious solution to the perennial problem of backlighting on a CMM - the component to be measured is simply placed on a plate containing special reflective paper.



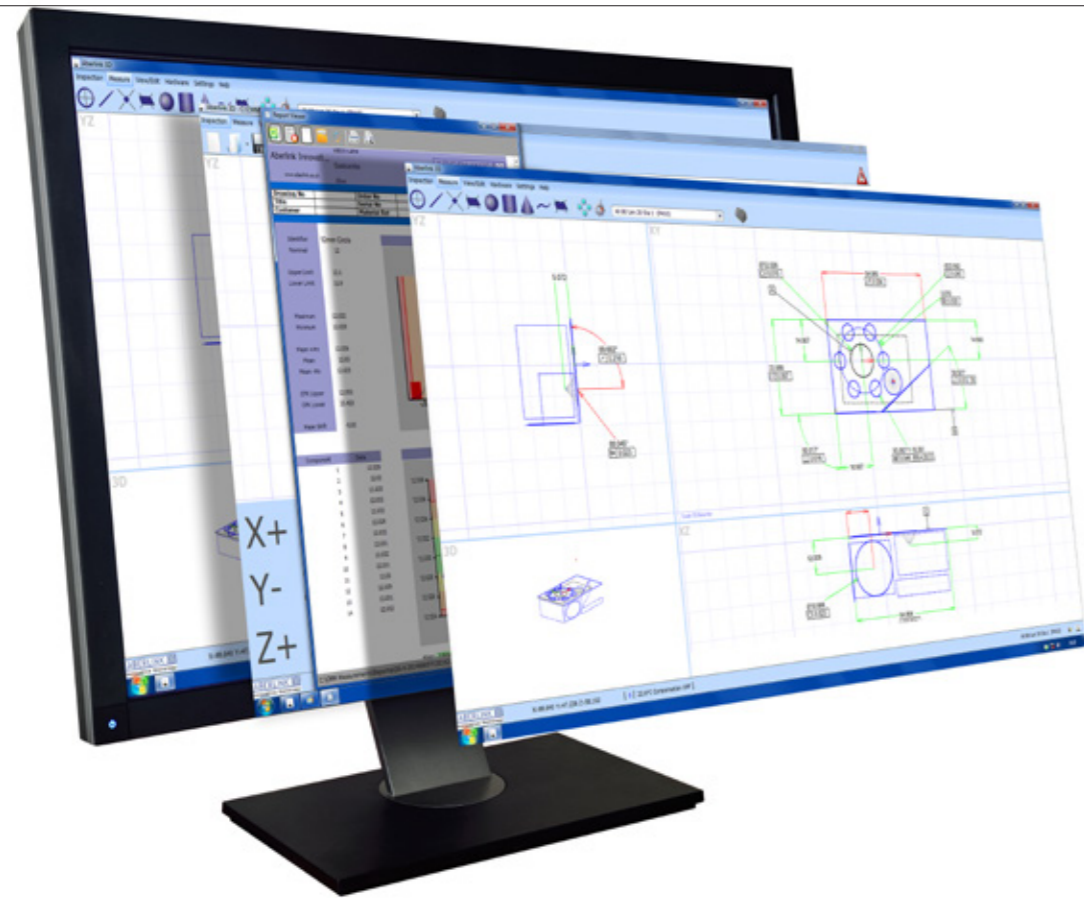
Key Features:

- Swap between touch probe and CMM camera in seconds
- Fully programmable digital zoom (no need to change lenses)
- Use touch and vision technology within the same inspection programme
- Directional overhead lights and back light for profile and surface feature inspection
- High precision edge detection for feature inspection
- Telecentric lens measures accurately even when the feature is out of focus
- Thread measurement - min/max/mean pitch, left/right angles, effective diameter

Specification:

- Sensor: 3 Mega pixel high speed colour camera
- Resolution: 2048 x 1536 (QXGA)
- Stand off: min 125mm | max 1000mm (manually adjusted)
- Field Of View: min 9.5mm | max 125mm
- Pixel Size: min 4.8µm | max 48µm

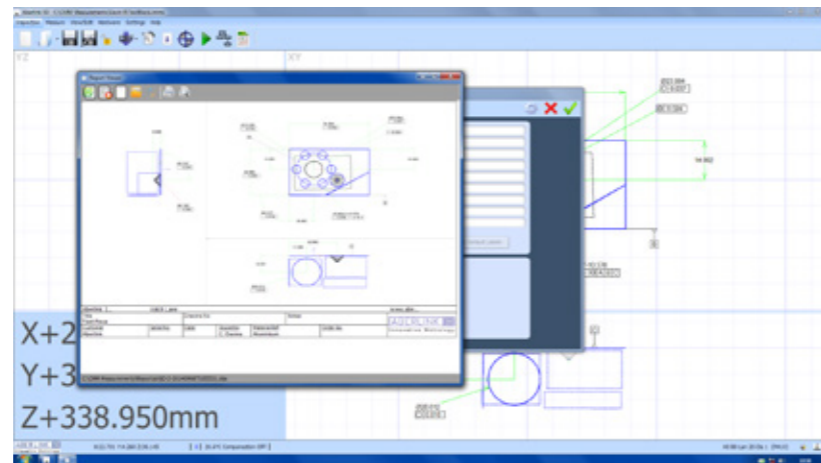
A collimated back light option is available for when measuring 3D or small turned components - see accessories (inside back cover)



ABERLINK 3D

MAKING MEASUREMENT EASY

The whole philosophy for Aberlink is to make measurement easy. Aberlink 3D software has been written by engineers for engineers and sets the industry standard for simple-to-use software. Designed around a graphical interface, Aberlink 3D can work in 2D or 3D, on manual or CNC CMMs and is equally at home when used with either touch, scanning or vision systems. It is easy to understand why Aberlink 3D has become the software of choice not only for Aberlink, but for numerous other manufacturers of measuring devices around the world.



Aberlink 3D software is not only way ahead of its competition in being the industry standard for 'easy-to-use' software, but also has the depth of functionality to make it the choice for either occasional users or full-time inspection professionals.

Key Features:

- Automatic measurement routines
- Powerful interactive graphics window
- Automatic feature recognition
- 2D and 3D manual and CNC inspection
- Geometric feature inspection
- Free form surface measurement
- DXF data import/export
- STEP and IGES export for reverse engineering
- Feature construction
- GD&T dimensions and tolerances
- RPS Alignment
- Leap frogging

Programme Tools:

- Teach & repeat programming
- Drag and drop programme editor
- Run programs from any point
- Measure a subset of features
- Simple object-based programming
- No complex programming language
- Automated batch inspection
- Password protect programmes
- Automatic safety moves
- Feature replicator
- Mirror imaging

Report Formats:

- Engineering drawing GD&T report
- Simple PASS/FAIL report
- Form plots
- Batch summary report
- Tabulated reports
- Graphical fly-out labels
- Drag & drop reporting
- Real-time SPC
- Combine multiple views
- Export to Excel
- Historical data reporting

Aberlink 3D software is revolutionary. As a component is measured a representation of it is built up on the screen. The user simply clicks on the measured features to call up dimensions exactly as they would appear on a drawing.

Inspection reports can be in the form of fully dimensioned graphical representations as created on the screen, or tabulated reports in various formats that can show nominals, tolerances, errors, pass/fails, geometric tolerances etc. These reports can also be output to an Excel spreadsheet.

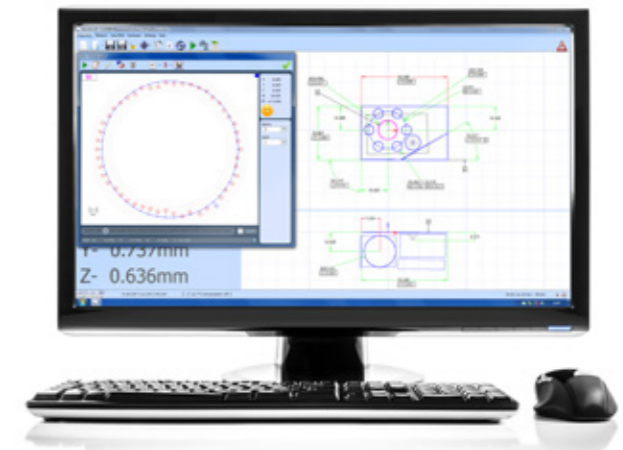
Further reports are available to show the form of features (roundness, straightness etc.), hole or point positions, or complete batch results on one report. The user's company name also appears on all outputs.

Every time a component is inspected, a programme for measuring subsequent components is automatically created. The software also calculates 'safe' moves between features, even when the probe is indexing – just another thing that the operator doesn't have to worry about!

Popular throughout the world and available in many languages, Aberlink's revolutionary measurement software provides the user with a powerful, yet easy-to-use solution for inspection measurements. This not only increases component throughput but vastly reduces the learning period for new users.

Every Aberlink 3D license also benefits from no annual subscription or maintenance fees and free software upgrades for life, hence minimal cost of ownership.

Welcome to cost-effective precision.



DID YOU KNOW?

Aberlink's revolutionary 3D software inspection package is available for CMM retrofits, vision systems, articulating arms and other metrology platforms

VISION SOFTWARE

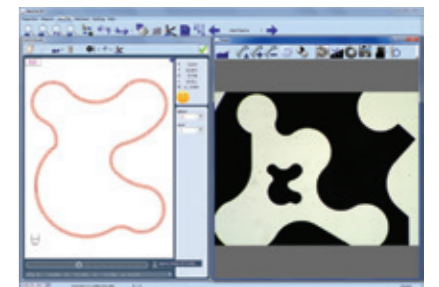
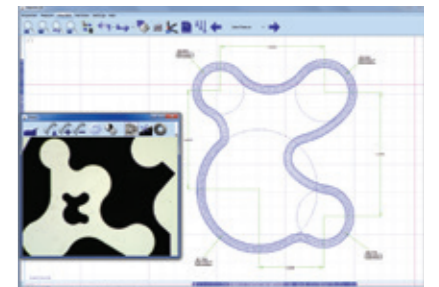
SOFTWARE MODULE

The Aberlink Vision software module allows Aberlink 3D software to be used for non-contact measuring. Fully automatic edge detection tools can be used in both manual and CNC mode ensuring fast and repeatable results without relying on the skill of the operator.

Powerful tools allow both geometric and complex shapes to be measured easily. Dimensions can either be called up by clicking on the measured features in the normal way, or alternatively measurement points can be best-fitted against a DXF file. As well as edge detection the operator may use either full cross hairs or mouse cross hairs with other advanced tools available including "smart measure", centre line detection, an "all edge points" function, a "thread measure" tool and a "screen ruler" for quick measurements between any two points on the image.

Key Features:

- Full colour video image
- CNC and manual machine controls
- Auto focus
- Digital Zoom
- Light intensity and direction
- Align to edge
- Automatic 2D profile scanning
- Scan geometric features
- Scan individual features
- Scan all visible features with a single mouse click
- Digitise 2D profiles - data export via DXF
- One-click feature measurement
- Smart auto-recognition & measurement

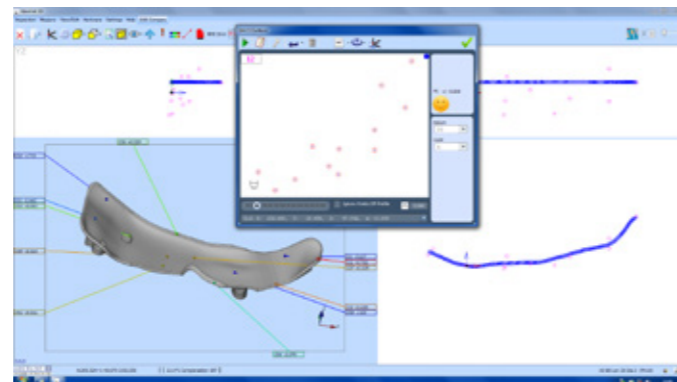
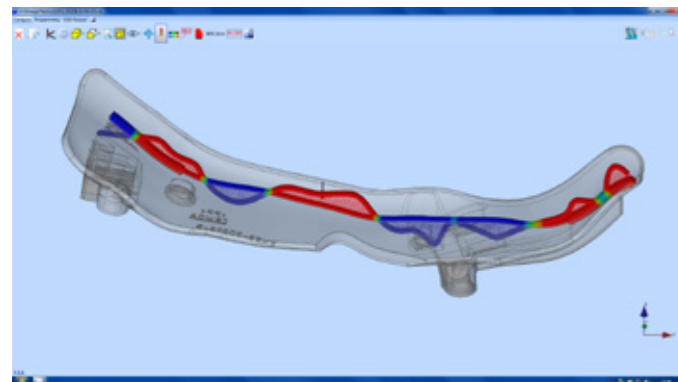
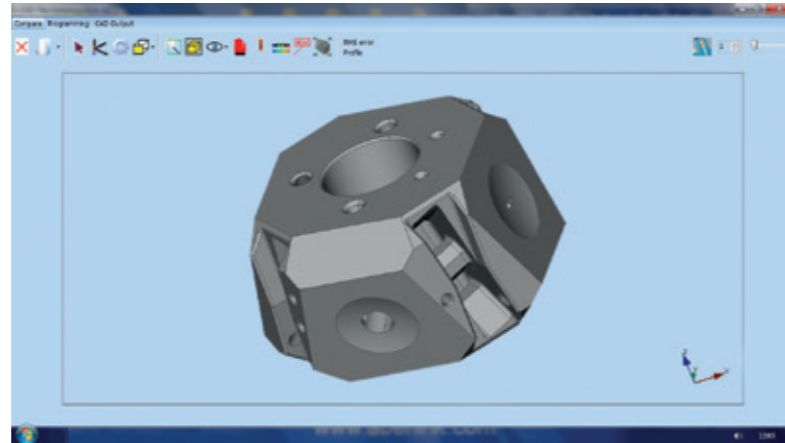


CAD COMPARISON SOFTWARE MODULE

The Aberlink CAD Comparison software module enhances Aberlink 3D with the capability to compare measured points to a CAD model. Often this will be the only way to measure complex parts, or perhaps sometimes drawings for the component simply don't exist.

Powerful alignment routines allow measurement points to be best-fitted to the model. Colour coded errors can then be displayed on the model to produce both graphical and tabulated reports that are extremely clear and very easy to understand.

Aberlink's CAD comparison module allows the input of either STEP or IGES files as standard and allows reports to be exported as an Excel spreadsheet. It really does make measuring complex parts easy, whether on a manual or CNC CMM.



CAD Formats

- IGES and STEP import and export
- DXF export
- Re-scale Models
- Simple measurement of complex parts

Alignments

- Point cloud best-fit
- Feature best-fit
- Best-fit constraints
- Graphical and tabulated reports
- Export to Excel

Report Formats

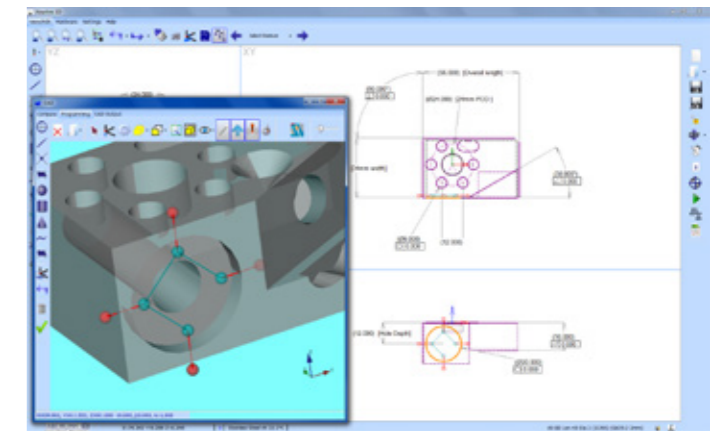
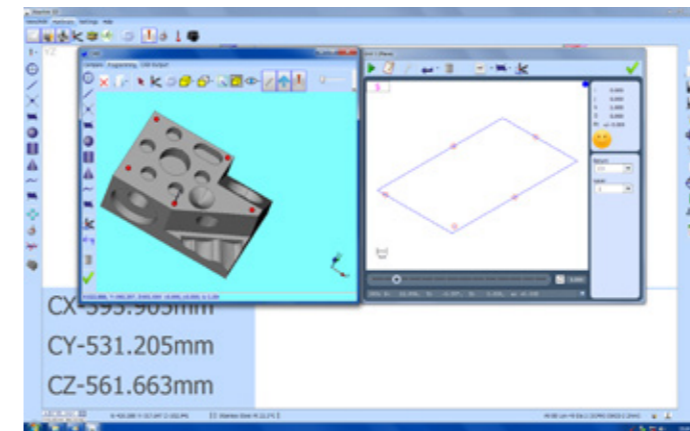
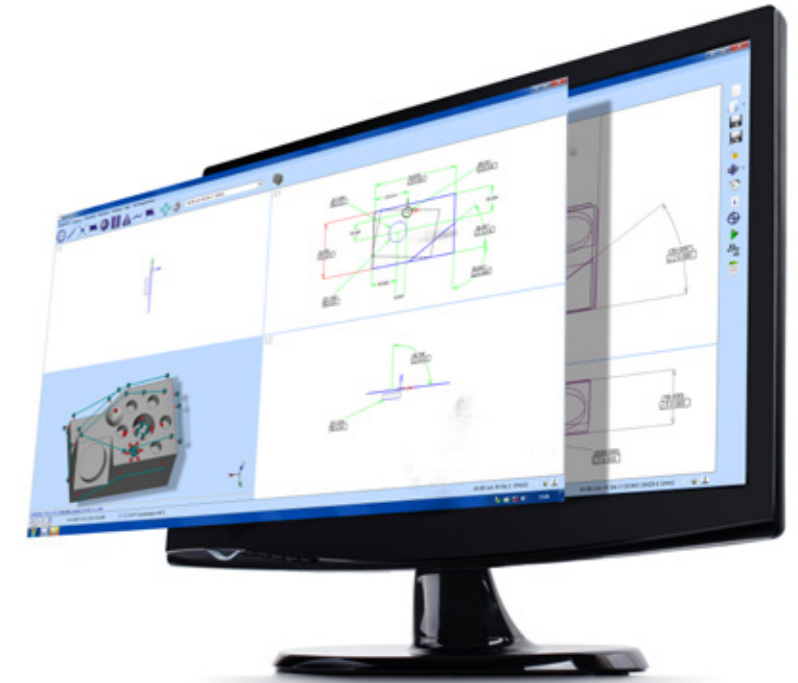
- On CAD fly-out labels
- Colour deviation whiskers
- Colour point markers
- Configurable colour options
- Combine multiple views
- Graphical and tabulated reports
- Export to Excel

PROGRAMMING FROM CAD SOFTWARE MODULE

For many years Aberlink 3D software has been setting the industry standard for both ease of use and speed of programming. However, until now this has been best done by using the teach-and-repeat method of programming when measuring a component. But what if you want to prepare the measurement programme before you even have the first component? Introducing our CAD programming module, which in true Aberlink fashion, allows the simplest programming possible from either an IGES or STEP CAD model.

If you can use Aberlink 3D software then you will already know how to use the CAD programming module – it couldn't be easier. Rather than taking measurement points on a component, you can now just click on the surface of the model where you would like the points to be taken.

Feature Predict works in the same way as when measuring. For instance, if you click in four places on the same plane on the model, then the software will automatically create a Plane Measure unit with those four points in it. Then click on a different feature and it will automatically close the Plane window and look for another feature. If you click on a circular feature it will take just one click to produce a circle or two clicks for a cylinder. Suddenly programming in Aberlink 3D just got even easier!



DID YOU KNOW?

The Programming from CAD module allows programmes to be created away from the CMM so the machine is free to measure other parts. You don't even need a part to create a program - just the model.

ACCESSORIES

FURTHER CMM ENHANCEMENTS

CMM Touch Screen Joystick

The touch screen joystick gives you control of the Aberlink 3D inspection software and the 3-axis machine motion from an easy to operate handheld device.

The CMM touch screen joystick allows users complete control of the Aberlink 3D inspection software, clearly displayed through the unique joystick graphical user interface and high resolution touch sensitive screen - there is no need to interface with the PC. This is especially useful on larger CMMs when you need to stand over the part or around the back of the machine, to position the probe or clearly see probe measurements.

The colour touch screen joystick is invaluable when creating and running inspection programmes, enabling complete control of the X, Y and Z-axis machine movement, probe head indexing and machine status. You have complete control at your fingertips.

The touch screen joystick is supplied as standard with both the Zenith 3 and Azimuth CMMs.



Industrial CMM Joystick

The industrial CMM joystick is a robust lower-cost version of the acclaimed CMM touch-screen joystick. It has full X-Y-Z axis motion control, X-Y-Z +/- direction measurement capability, feed rate override and the ability to insert Move Via points as required. The industrial joystick has been ergonomically designed for left or right handed operation, and includes a magnetic mount to enable quick placement on the CMM.



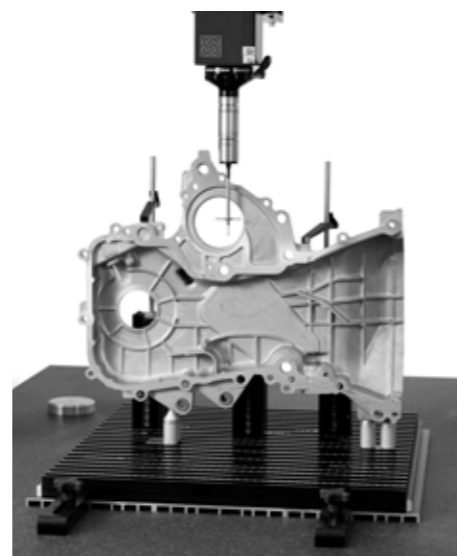
Fixture Kit

Patent pending T-slot and T-nut technology provides infinite adjustment of the fixture components in multiple directions. Clamps, locators and supports can be placed in exactly the right position to suit the part. Greater flexibility results in less complicated designs, fixtures are easier to assemble and completed in less time.



Fixture mountings incorporate one or more t-slot. The slot receives a sliding t-nut which is used to secure the fixture components in place. For rapid repeat set-ups, fixture components can be removed and replaced without disturbing the t-nut while laser engraved scales and alpha markings facilitate more precise builds.

Any number of designs can be created from a single fixture kit. Over one hundred high quality parts manufactured from anodised aluminium and stainless steel are supplied in a compartmented storage case. All types of prismatic and free form parts can be held and supported correctly during measurement.



Automation Interface Unit

The Aberlink automation interface adds the capability for Aberlink 3D programmes to be remotely controlled and monitored using an external system allowing any Aberlink CMM to be integrated with an automated component handling system, whether this be a fully controlled, PLC driven manufacturing system, a robotic loader or just an automatic bar feeder. The package comprises of an optically isolated digital I/O system and a software module that enables the software to be setup to follow a defined operating sequence to allow the automated operation.



The automation interface includes documentation and a software utility package, but because of the need to have detailed knowledge for the automated handling system for each installation, integration must be handled by the system integrator and cannot be supported by Aberlink.

Collimated Back Light

The CMM collimated light enables backlight illumination of 3D or turned components when used with the CMM Camera System. When using collimated light to backlight components, a clear and crisp silhouette, similar to using a profile projector, is produced. A single-LED collimated light features a compact, lightweight design which is perfect for the Axiom too range of CMMs and is fully programmable and controllable within Aberlink vision software.



Automatic Temperature Compensation

The Aberlink Temperature Compensation option enables your CMM to maintain accuracy in an uncontrolled environment, such as on the shop floor.

In an ideal world, your CMM would be installed in a perfectly temperature controlled room. However, in the real world of manufacturing, sometimes that isn't possible or practical because you need your CMM next to where your parts are being made.

A USB temperature sensor embedded in the bridge of the CMM provides feedback to compensate as though measurements have been taken at 20°C



Dual Monitor

The vertically mounted dual-monitor arm enables Aberlink CAD or Vision software modules to be viewed on a separate tilt-able screen to the Aberlink 3D inspection software.



Air Dryer

SMC IDFA series refrigeration air dryer - to ensure a good quality of air supply and maximise the performance and life of the CMM.



ABERLINK

Innovative Metrology



The largest UK-owned manufacturer of coordinate measuring machines with a distribution and sales network spanning over 40 countries Worldwide.

www.aberlink.com

Aberlink Ltd
Vatch Lane,
Eastcombe,
Gloucestershire
GL6 7DY
United Kingdom

T +44 (0) 1453 884461
F +44 (0) 1453 882348
E sales@aberlink.com

www.aberlink.com

