

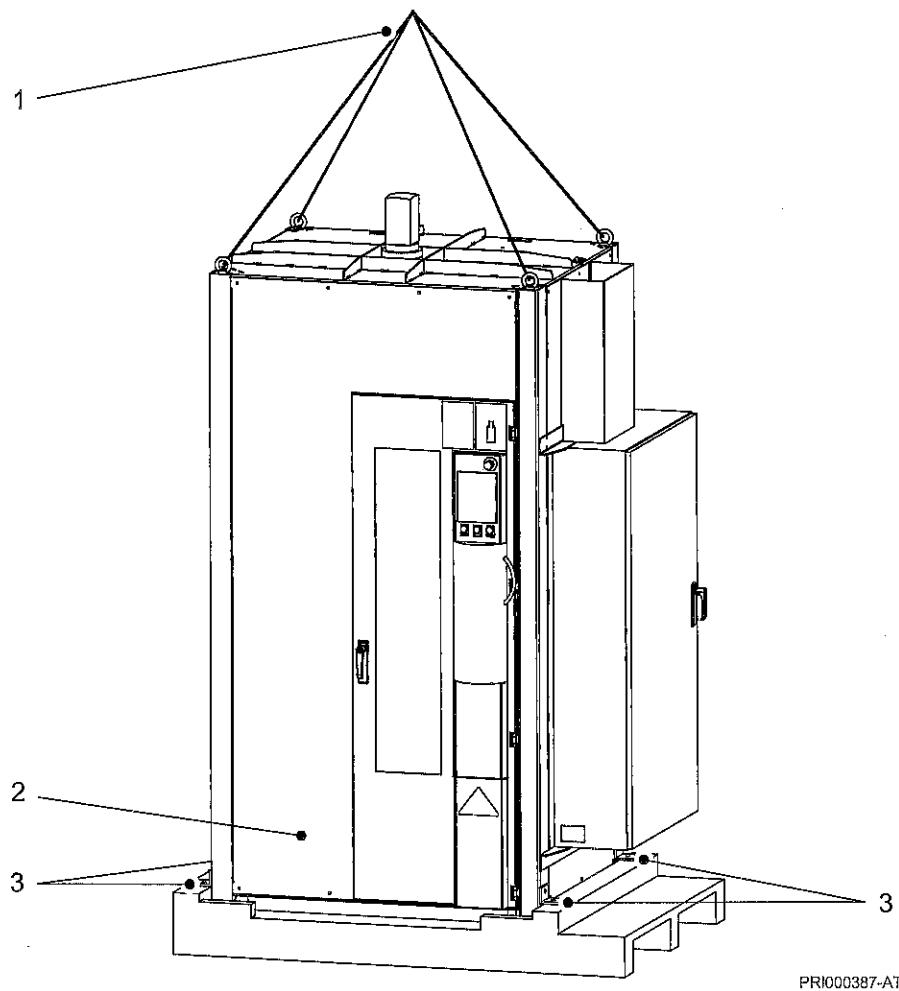
Fig. 4.4 Transport of different machine types with crane

4.3.1 Tool magazine ATC

Tool magazine ATC

Requirements for the crane	
Load capacity	min. 1500 kg

Requirements for the lifting accessories	
Transport cables	4 × 1,1 m min. 1000 kg



PRI000387-ATC

Fig. 4.5 ATC transport with crane: Install the transport locking devices before each transport.

- 1 Transport cables
 2 Transport locking device in the ATC
 3 Transport locking device pallet

4.3.2 Pallet magazine

Pallet magazine

Requirements for the crane	
Load capacity	Min. 2000 kg

Requirements for the lifting gear	
Transport cables	3 × 2.5 m Min. 2000 kg
Eyebolts	3 × M16

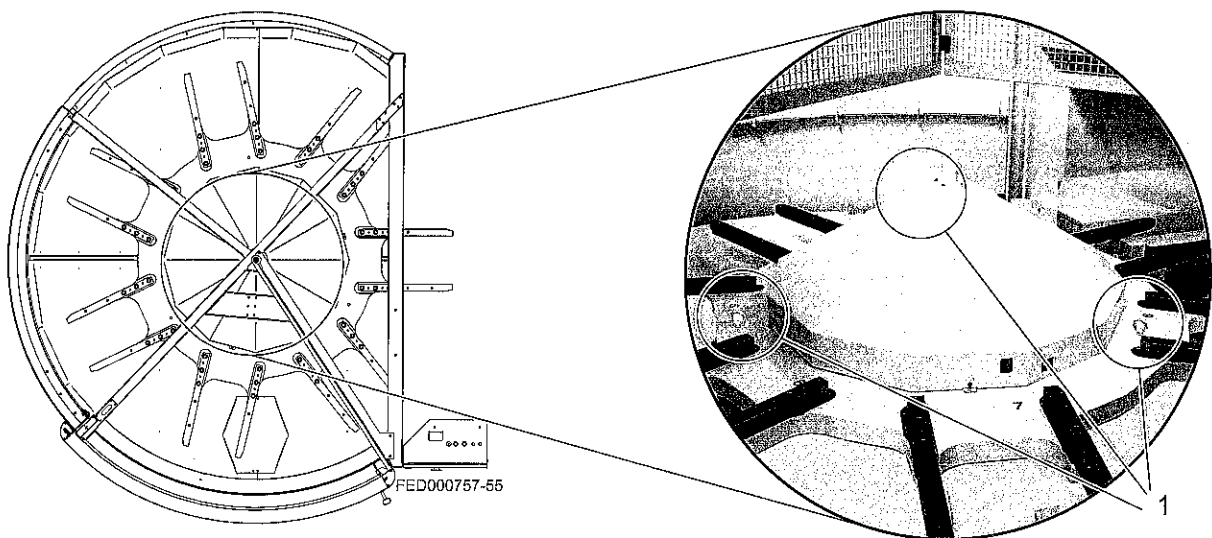


Fig. 4.6 Pallet magazine transport with crane

1 3 × eyebolts

4.4 Transport with forklift

For transport with the forklift, the machine must be positioned in its entirety on the solid transport pallet and be securely fastened.

The forklift must be able securely support the machine above its center of gravity.

Damage to the machine during transport with a forklift

- If the machine is resting on skids, it must NOT be transported using the forklift.
- The machine must NOT be lifted directly under the machine base.

Requirements for the forklift	
Load capacity	
HPM 600U (HD)	min. 17000 kg
HPM 800U (HD)	min. 17000 kg

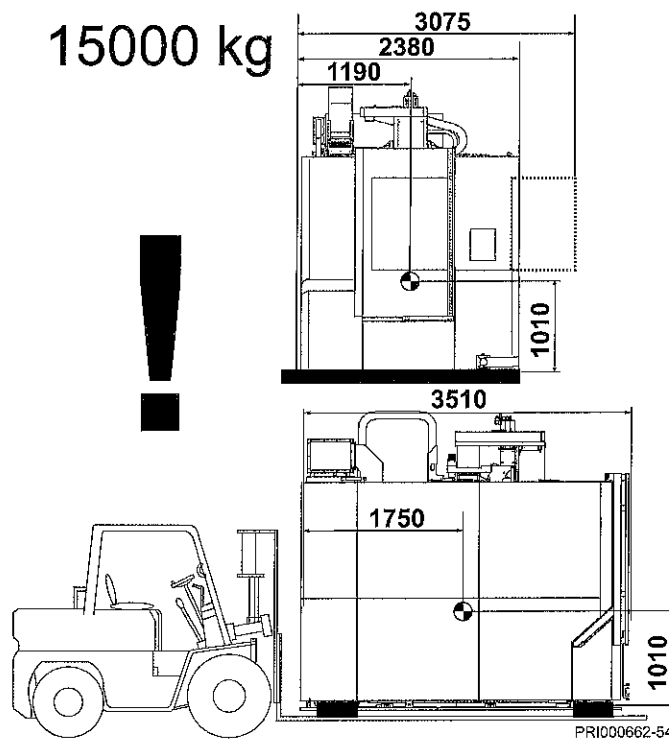


Fig. 4.7 Transport with forklift on **solid steel pallet**:
The center of gravity is NOT in the center.
 Be absolutely certain to follow the orientation of the machine in the illustrations!

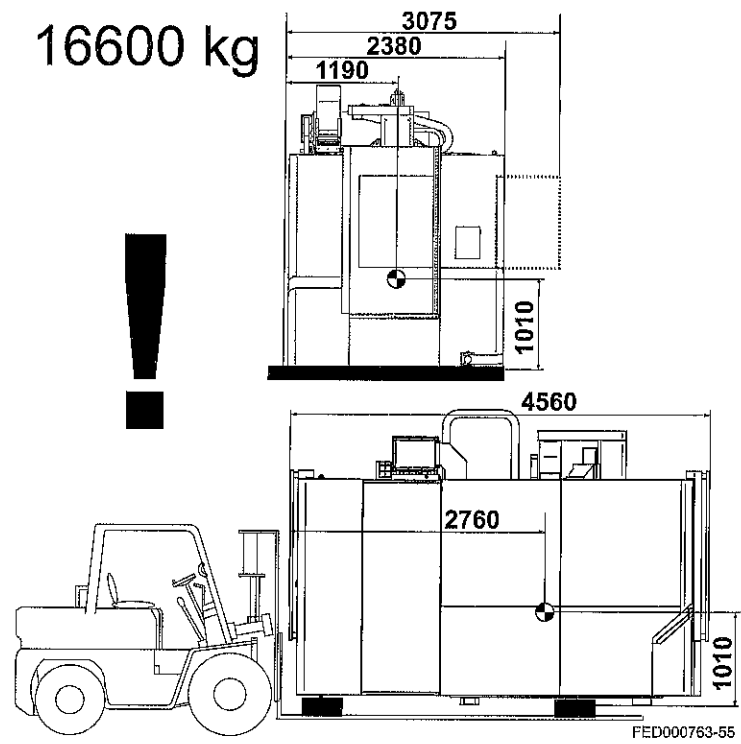
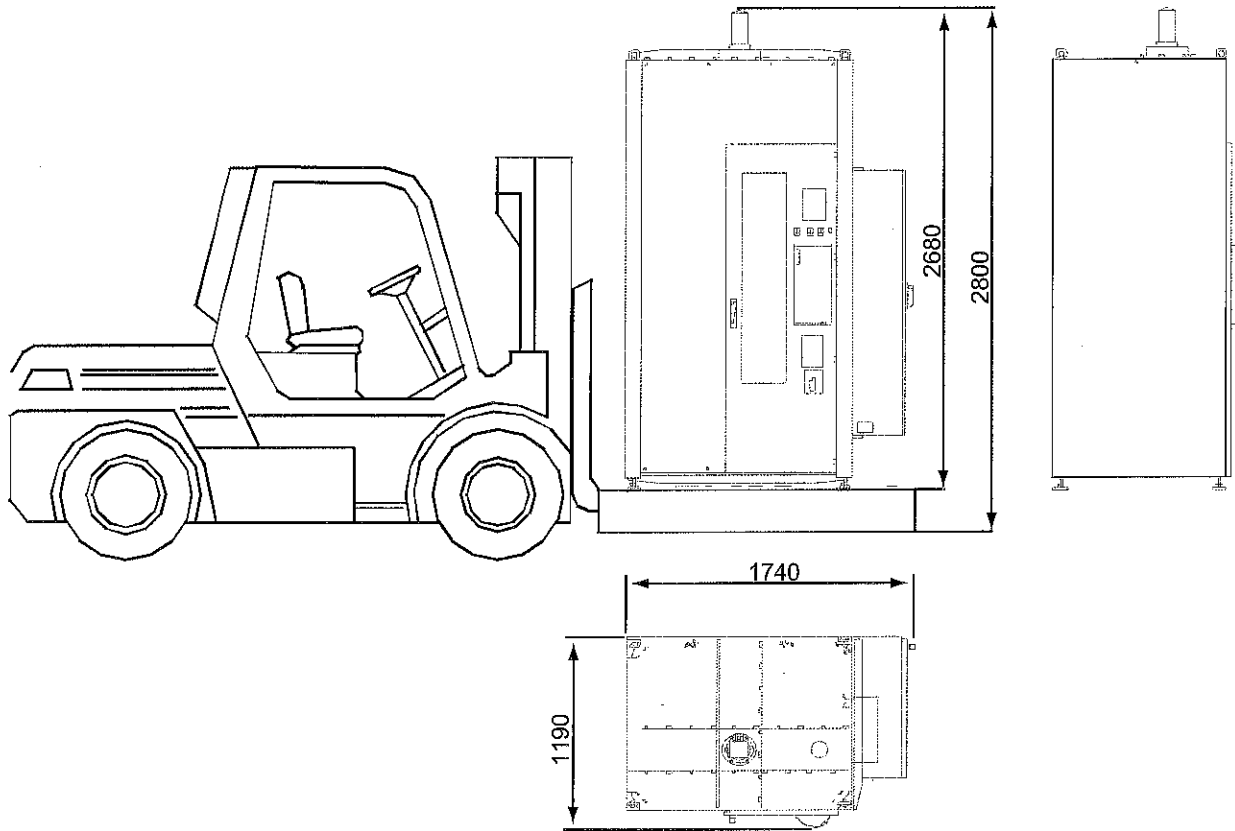


Fig. 4.8 Transport with forklift on **solid steel pallet**:
The center of gravity is NOT in the center.
Be absolutely certain to follow the orientation of the machine in the illustrations!

4.4.1 Tool magazine

Tool magazine ATC

Requirements for the forklift	
Load capacity	min. 1500 kg
Fork length	min. 2 m



PRI000384-ATC

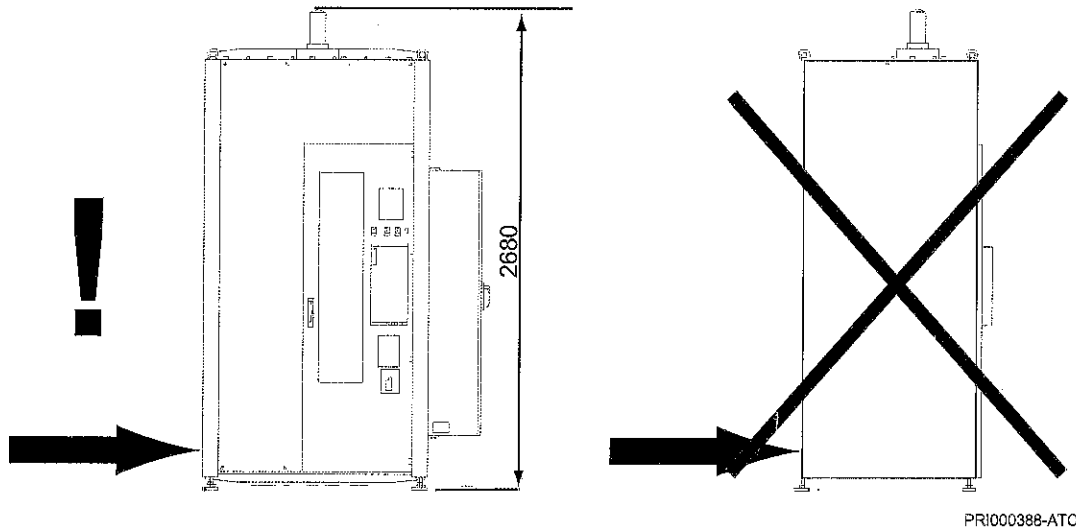
Fig. 4.9 ATC transport with forklift: Install the transport locking devices in the ATC before each transport.

4.4.1.1 ATC transport with lift truck



Severe damage when transported by lift truck

The ATC will be severely damaged if it is transported by the wrong side. The ATC may be transported using the lift truck by the side shown in the illustration only.



PRI000388-ATC

Fig. 4.10 Severe transport damage will result if the lift truck is transported by the wrong side!

4.4.2 Pallet magazine

Pallet magazine

Requirements for the forklift	
Load capacity	Min. 2000 kg
Fork length	Min. 2 m

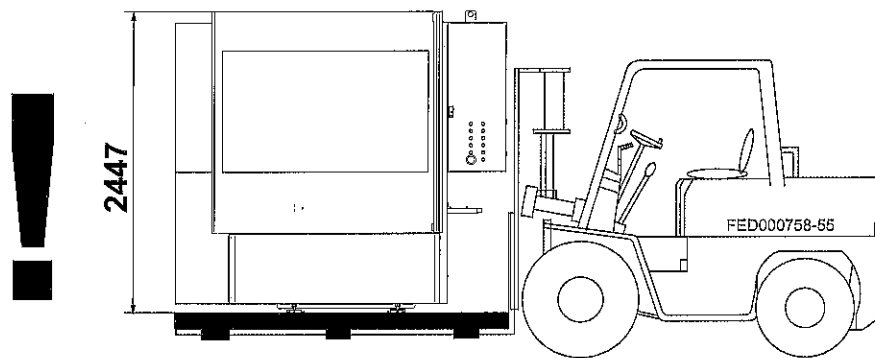


Fig. 4.11 Transport pallet magazine with forklift: on transport pallet
The center of gravity is NOT in the center.
 Be absolutely certain to follow the orientation in the illustrations!

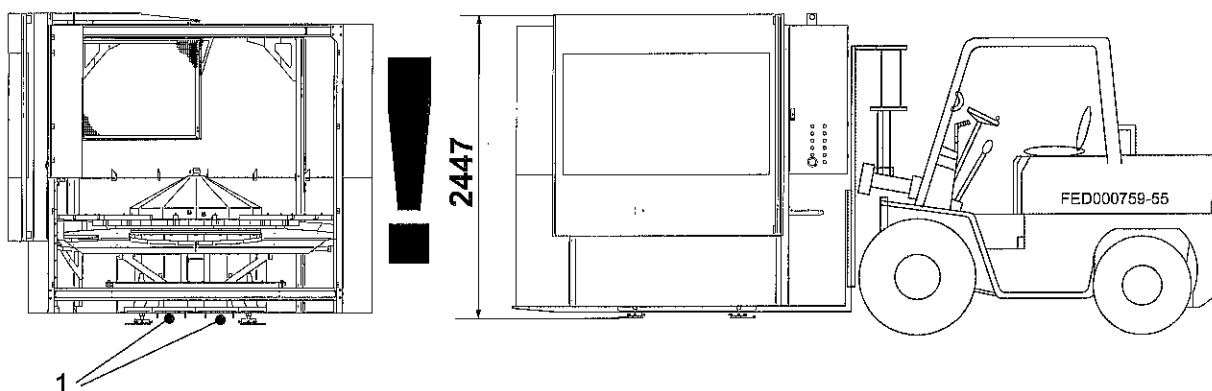


Fig. 4.12 Transport pallet magazine with forklift: without transport pallet
The center of gravity is NOT in the center.
 Be absolutely certain to follow the orientation in the illustrations!

1 U profiles: points of contact for the forklift