

# SPINNER

# U-1520 Compact

Universal Machining Centre



Mechanical Engineering  
**Made in Europe**

[www.spinner.eu.com](http://www.spinner.eu.com)  
[sales@spinner.eu.com](mailto:sales@spinner.eu.com)

# Machine Highlights

Available in 3 configurations

U3-1520: 3-axes-version with large fixed table

U4-1520: 4-axes-version with large rotary table and fixed table on left side in the working area

U5-1520: 5-axes-version with integrated rotary/tilting table and fixed table on left side in the working area

Compact dimensions for low space requirement

High spindle speeds

2<sup>nd</sup> sliding operator door

Tool magazine with up to 54 tools

Electronic handwheel as standard

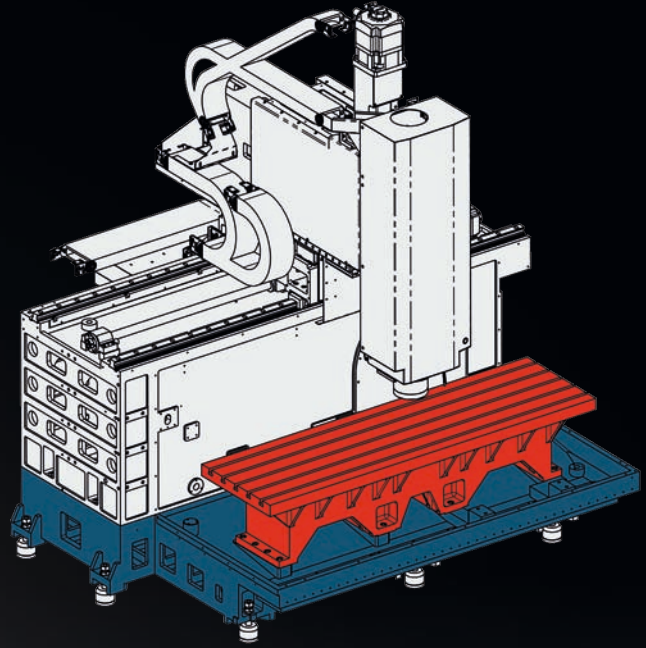
Large panoramic window

Best accessibility by 2 large sliding operator doors

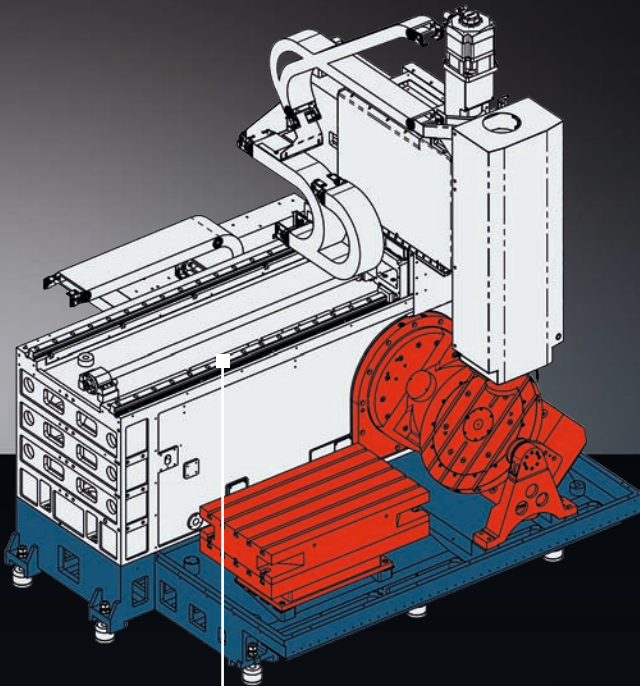


- High rigidity
- High spindle speeds
- High rapid traverse
- Optimally compact
- Best accessibility

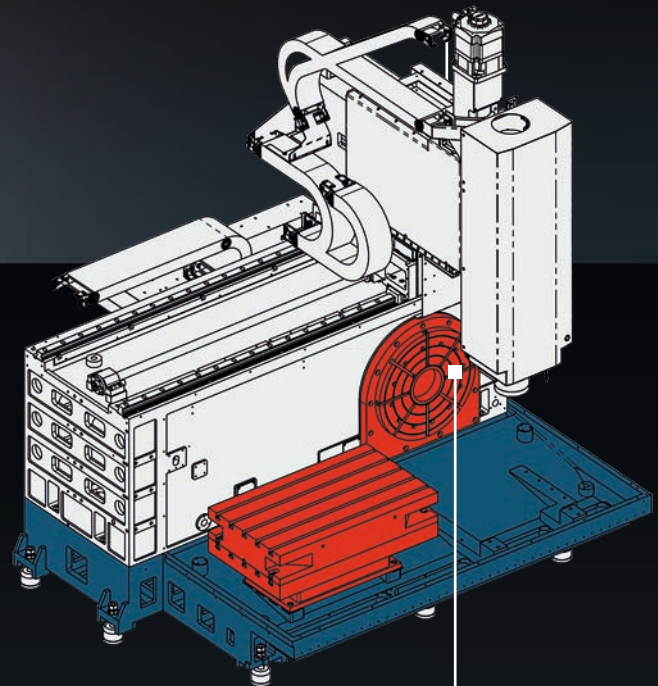
U3-1520 [Fixed table]



U5-1520 [Rotary/Tilting table]



U4-1520 [Rotary table]



All versions with modern linear guides for high rapid traverse

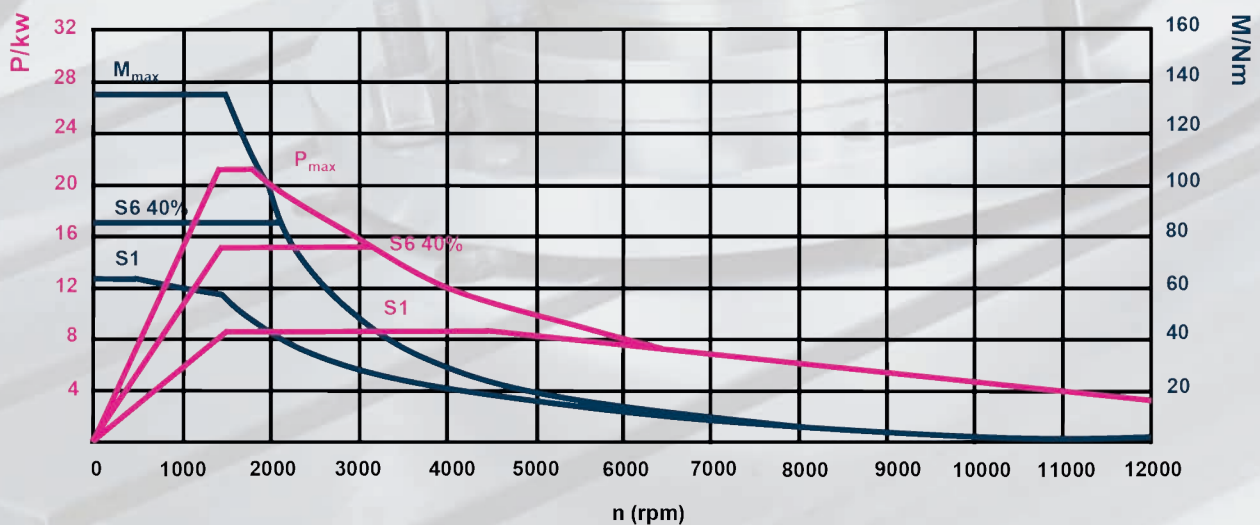


Clamping table U4-1520  
Clamping surface on both sides

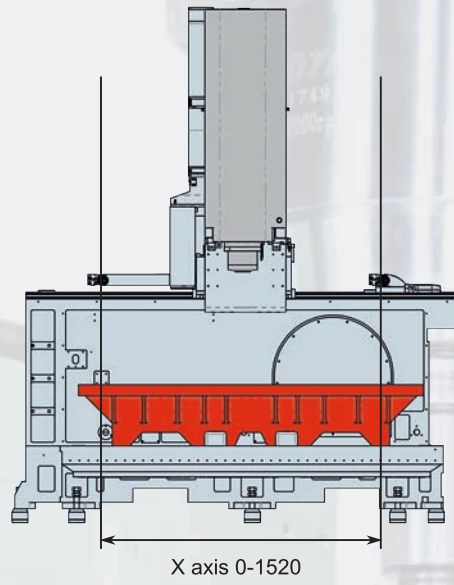
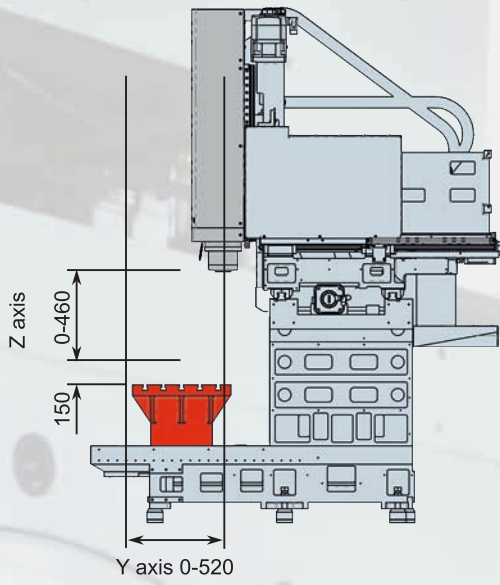
| Working area                               | U3-1520                                 | U4-1520   | U5-1520        |
|--|---|---|----------------|
| X axis                                     | 1520 mm                                 |   |                |
| Y axis                                     | 520 mm                                  |   |                |
| Z axis                                     | 460 mm                                  |   |                |
| Min. distance spindle nose - table surface | 150 mm                                  | 25 mm <sup>1)</sup>                                 | 150 mm         |
| Max. distance spindle nose - table surface | 610 mm                                  | 485 mm <sup>1)</sup>                                | 610 mm         |
| <b>Table</b>                               |   |   |                |
| Table dimensions                           | 1920 x 540 mm                           | 410 x 610 mm <sup>2)</sup> / Ø 560 mm <sup>3)</sup> | Ø 650 / 545 mm |
| Max. table load                            | 2000 kg                                 | 400 kg  | 500 kg         |
| T-slots                                    | 18H8                                    | 14H8  | 18H8           |
| <b>Axes</b>                                |   |   |                |
| Feed / rapide traverse                     | 32 m/min (optional 48 m/min)            |   |                |
| Number of simultaneously interpolated axes | 3 (4)                                   | 4   | 4              |
| <b>Spindle</b>                             |   |   |                |
| Max. speed                                 | 9.000 rpm (optional 12.000 1/min)       |   |                |
| Tool taper                                 | SK40 / BT40                             |   |                |
| Performance P <sub>max</sub>               | 22 kW                                   |   |                |
| Torque M <sub>max</sub>                    | 135 Nm                                  |   |                |
| <b>Tool magazine</b>                       |   |   |                |
| Number of tool stations                    | 24 (optional 32 / 54)                   |   |                |
| Max. tool diameter                         | 76 mm                                   |   |                |
| In case of free adjacent tool stations     | 127 mm                                  |   |                |
| Max. tool length                           | 290 mm                                  |   |                |
| Max. tool weight                           | 7 kg                                    |   |                |
| <b>General indications</b>                 |   |   |                |
| Dimensions (L x W x H) <sup>4)</sup>       | 4530 x 2470 x 3035 mm                   |   |                |
| Weight <sup>5)</sup>                       | ~ 8.500 kg (according to the equipment) |   |                |

1) With optional clamping table, 2) Clamping table, 3) Rotary table, 4) See floorplan, 5) Machine net weight

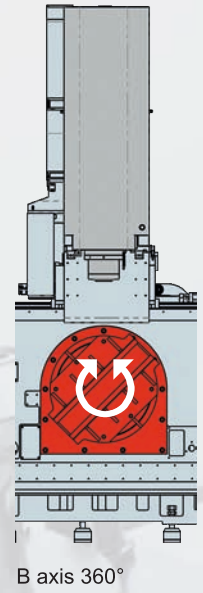
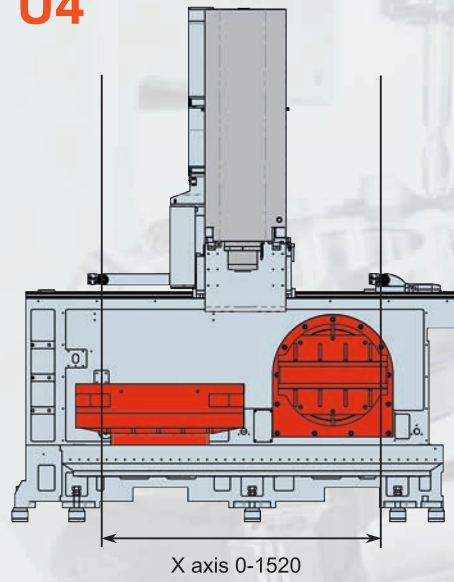
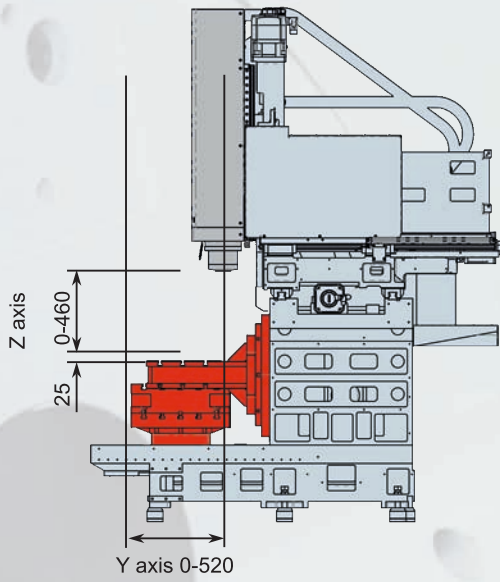
Standard spindle 9.000 rpm; optional spindle 12.000 rpm



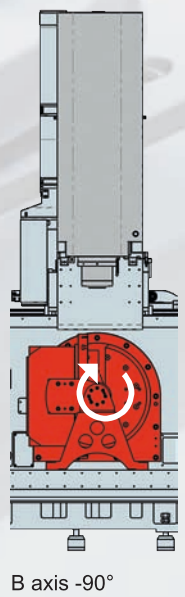
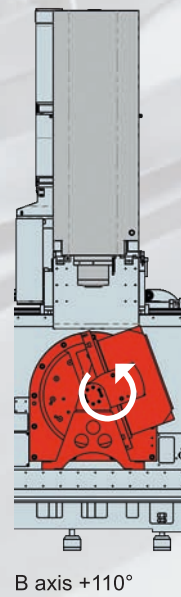
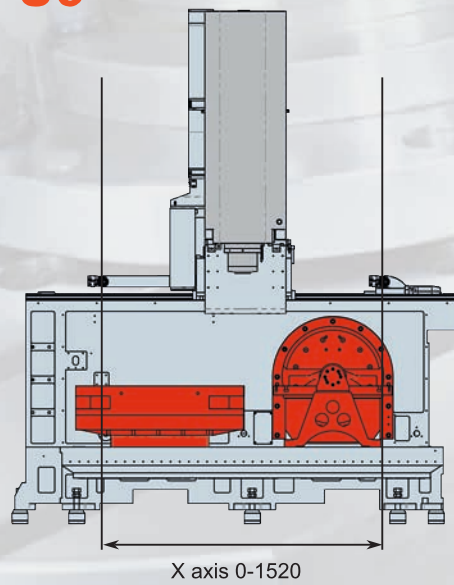
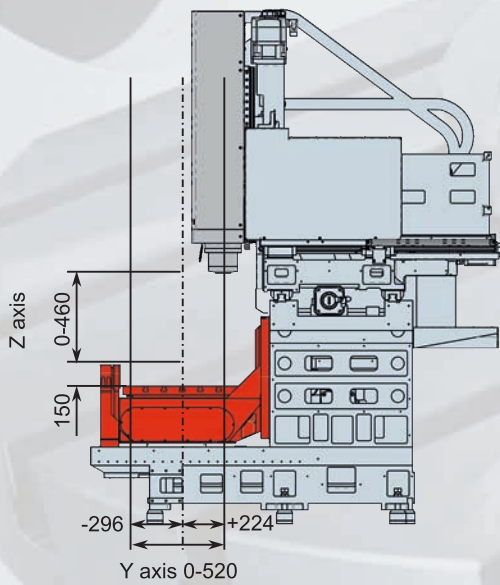
### U3

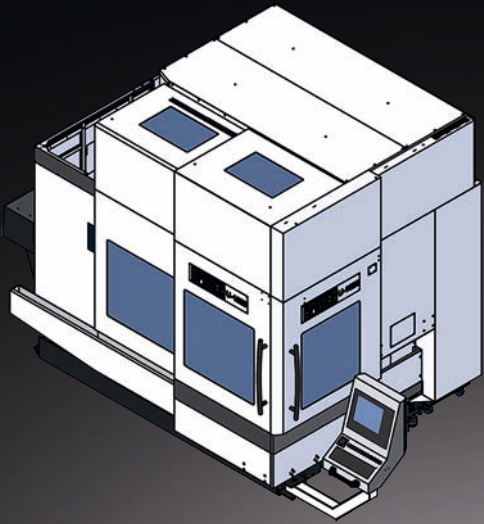


### U4



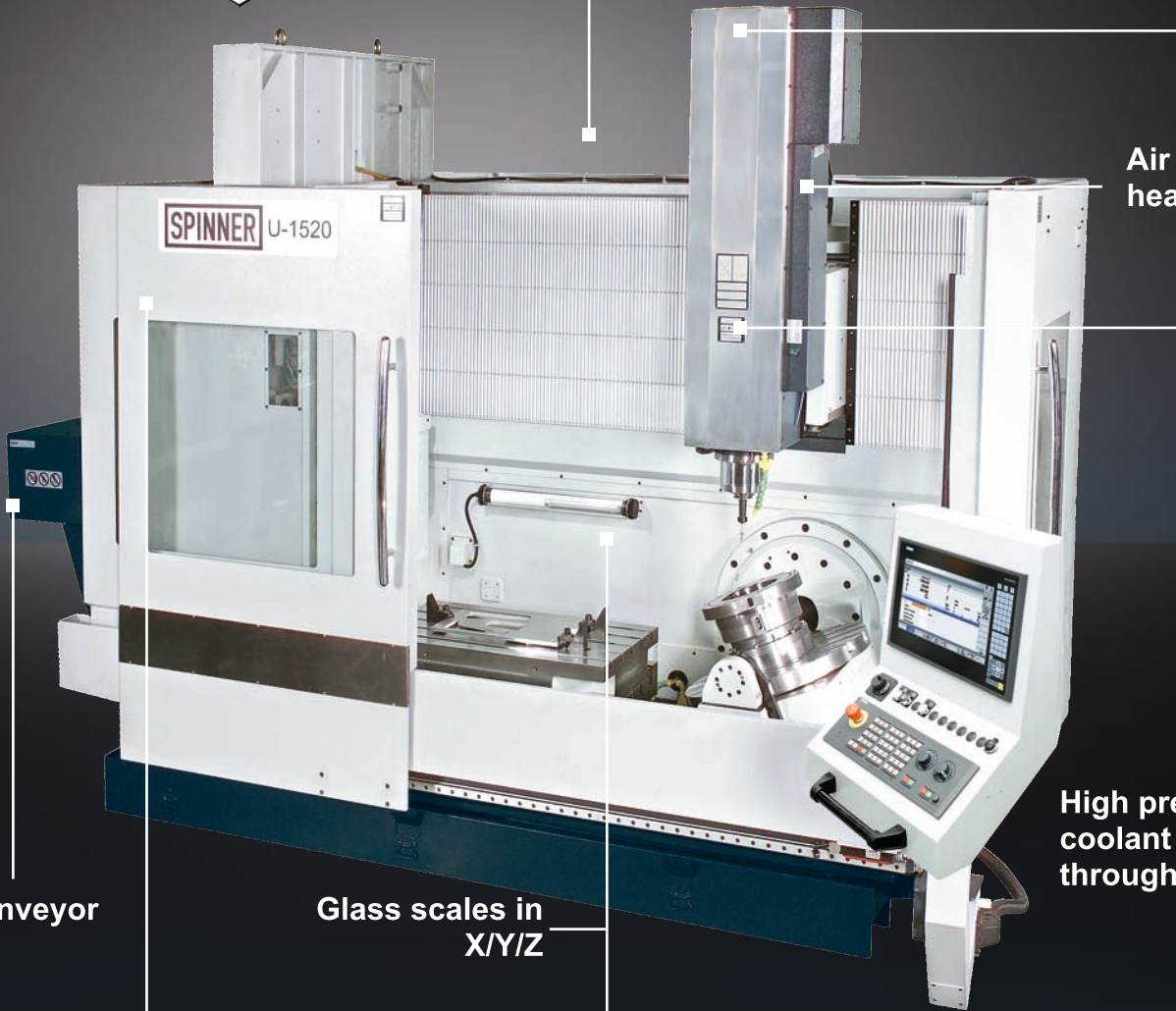
### U5





Machine housing closed on top

Milling spindle with 12.000 rpm



Air nozzle at headstock

High pressure coolant 22 bar through the spindle

Chip conveyor

Glass scales in X/Y/Z

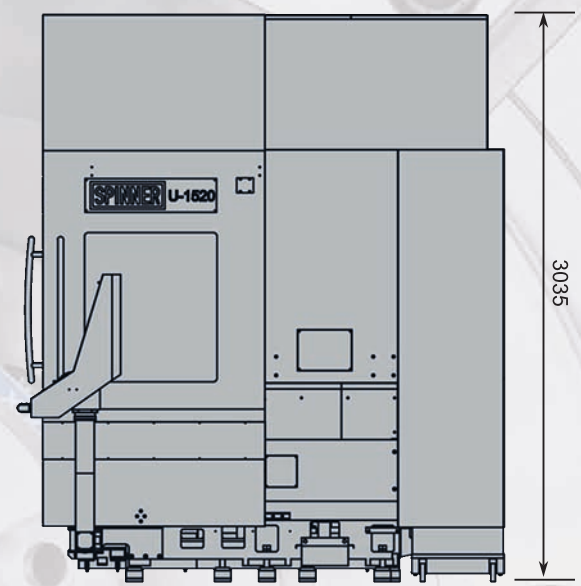
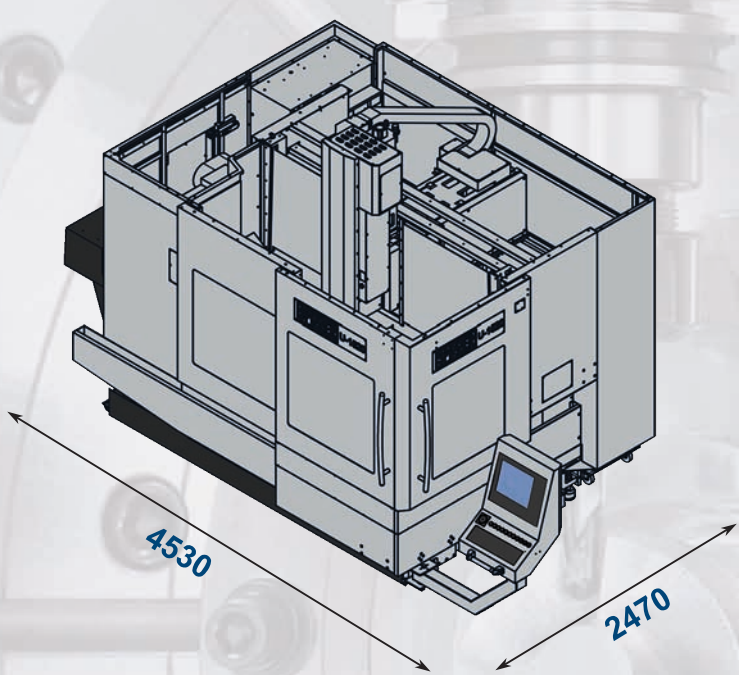
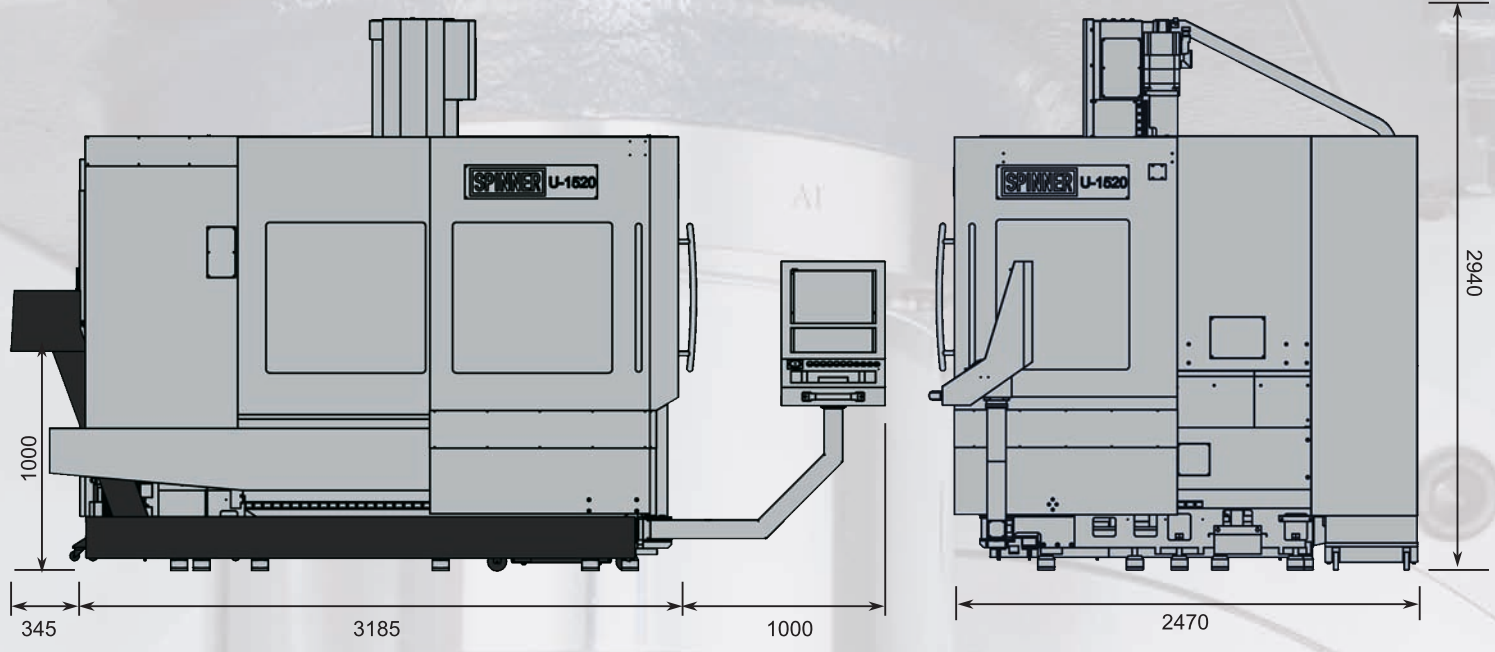
Higher rapid traverse 48 m/min

Coolant pistol in the working area

Magazine enlargement to 32/54 tools

Clamping table for U4-1520





Height of machine with top-cover

**Compact dimensions for low space requirement**

■ Version with standard chip conveyor



Werkzeugmaschinenfabrik GmbH



Spinner Machine-Tools are working successfully world wide with many well known clients in more than 60 countries on 6 continents. We have been fortunate enough to attract small component suppliers in addition to well known global groups in all metal machining industries.

We have designed and produced the most modern machine-tools since 1950. More than 20.000 delivered machines demonstrate their high efficiency, precision and reliability, everyday.

Although Spinner is a medium-sized enterprise we produce and sell more than 1.000 CNC machines a year. And the number is increasing every year. Our company combines the know-how of a global player with the flexibility and cost-effective structures of a family owned business.

Place your trust in our products as well and let us know what we can do for you.



Video

SPINNER Werkzeugmaschinenfabrik GmbH

Rudolf-Diesel-Ring 24

82054 Sauerlach

Tel. +49 (0) 8104 803-0

Fax +49 (0) 8104 803-19

sales@spinner.eu.com



Version 19.4.2017

Technical changes of specifications and pictures are subject to change without notice - Pictures can include options, accessories